

JOB
ADDRESS
CITY, ST, ZIPAREA

MATERIAL LIST

- KAWNEER SERIES 1600 SS (2 1/2" X 7 1/2") CURTAINWALL SYSTEM
- KAWNEER SERIES 451T (2" X 4 1/2") STOREFRONT SYSTEM
- KAWNEER SERIES 451 (2" X 4 1/2") STOREFRONT SYSTEM (DOOR FRAMES)
- KAWNEER SERIES 450 (1 3/4" X 4 1/2") STOREFRONT SYSTEM
- KAWNEER SERIES 350 MEDIUM STILE DOORS
- CRL SLIDING WINDOW SYSTEM

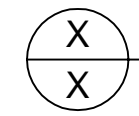
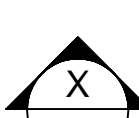
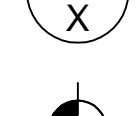
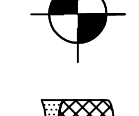
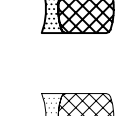
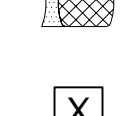
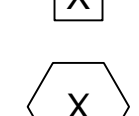
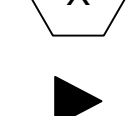


DOOR SCHEDULE

DOOR #	SIZE W X H	ELEV.	MATERIAL	FRAME MATERIAL	HDWR	REMARKS
101	(2)3'-0" X 7'-0"	G	AL	AL	HW-1	
102	(2)3'-0" X 7'-0"	G	AL	AL	HW-1A	
104	(3)3'-0" X 7'-0"	H	AL	AL	HW-16	
105	(3)3'-0" X 7'-0"	H	AL	AL	HW-16	
106	3'-0" X 7'-0"	A	WD	AL	HW-11	
107	3'-0" X 7'-0"	A	WD	AL	HW-11	
108	3'-0" X 7'-0"	A	WD	AL	HW-11	
109	3'-0" X 7'-0"	A	WD	AL	HW-11	
110	3'-0" X 7'-0"	A	WD	AL	HW-11	
111	3'-0" X 7'-0"	A	WD	AL	HW-11	
112	3'-0" X 7'-0"	A	WD	AL	HW-11	
114	3'-0" X 7'-0"	C	AL	AL	HW-2	
117	3'-0" X 7'-0"	A	WD	AL	HW-11	
120	3'-0" X 7'-0"	A	WD	AL	HW-9	
126	3'-0" X 7'-0"	A	WD	AL	HW-11	
132	3'-0" X 7'-0"	A	WD	AL	HW-11	
144	3'-0" X 7'-0"	A	WD	AL	HW-11	
145	(2)3'-0" X 7'-0"	F	AL	AL	HW-1	
146	3'-0" X 7'-0"	A	WD	AL	HW-11	

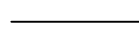
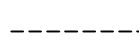
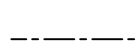

DOOR HARDWARE SCHEDULE

HW-1 EACH TO HAVE: 2 FULL ROTON HINGES 1" DIA. ANODIZED ALUM PUSH PULL W/ LOCKING CYLINDER & FLUSH BOLT 2 CONCEALED CLOSERS 1 WEATHER STRIPPING / SWEEP 1 THRESHOLD	HW-9 EACH TO HAVE: 3 HINGES 1 PASSAGE SET 1 STOP 3 SILENCERS 3 BUMPERS
HW-1A 2 FULL ROTON HINGES 1" DIA. ANODIZED ALUM PUSH PULL 2 CONCEALED CLOSERS 1 WEATHER STRIPPING / SWEEP 1 THRESHOLD	HW-11 EACH TO HAVE: 3 HINGES 1 OFFICE LOCK SET 1 STOP 3 SILENCERS
HW-2 EACH TO HAVE: 1 FULL ROTON HINGES 1 CONCEALED CLOSER 1 WEATHER STRIPPING / SWEEP 1 THRESHOLD ANODIZED ALUM PUSH PULL WITH LOCKING CYLINDER	HW-16 EACH TO HAVE: 3 FULL ROTON HINGES 1" DIA. ANODIZED ALUM PUSH PULL W/ LOCKING CYLINDER & FLUSH BOLT 1 WEATHER STRIPPING / SWEEP 1 THRESHOLD

SYMBOLS & ABBREVIATIONS

-  DETAIL NUMBER
-  SHEET NUMBER
-  ELEVATION NUMBER
-  SHEET NUMBER
-  DATUM / WORK POINT
-  BACKER ROD AND CAULK BY INSTALLER
-  BACKER ROD AND CAULK BY OTHERS
-  GLASS TYPE
-  FRAME REFERENCE
-  ANCHOR POINT
- RO ROUGH OPENING
- FS FRAME SIZE
- DLO DAYLIGHT OPENING
- DO DOOR OPENING
- EQ EQUAL
- VIF VERIFY IN FIELD
- BO BY OTHERS
- CL CENTER LINE

LINE TYPES

-  TYPICAL LINE
-  HIDDEN LINE
-  CENTER LINE
-  PHANTOM LINE

LINE WEIGHTS

-  WORK BY CSN
-  WORK BY OTHERS

DRAWING INDEX

- CS COVER SHEET
- P1 PARTIAL PLAN VIEW
- E1 INTERIOR STOREFRONT ELEVATIONS
- E2 EXTERIOR STOREFRONT ELEVATIONS
- E3 EXTERIOR SF DOOR ELEVATIONS
- E4-E5 EXTERIOR CURTAINWALL ELEVATIONS
- D1-D11 DETAILS

GLAZING SCHEDULE

GL1	1" CLEAR LOW E INSULATED ANNEALED GLASS
GL1T	1" CLEAR LOW E INSULATED TEMPERED GLASS
GL2T	1/4" CLEAR TEMPERED GLASS

FINISH

CLEAR ANODIZED ALUMINUM FINISH

SEALANT

EXTERIOR PERIMETER CAULK ONLY TO MATCH CURTAINWALL / STOREFRONT FINISH

REVISIONS

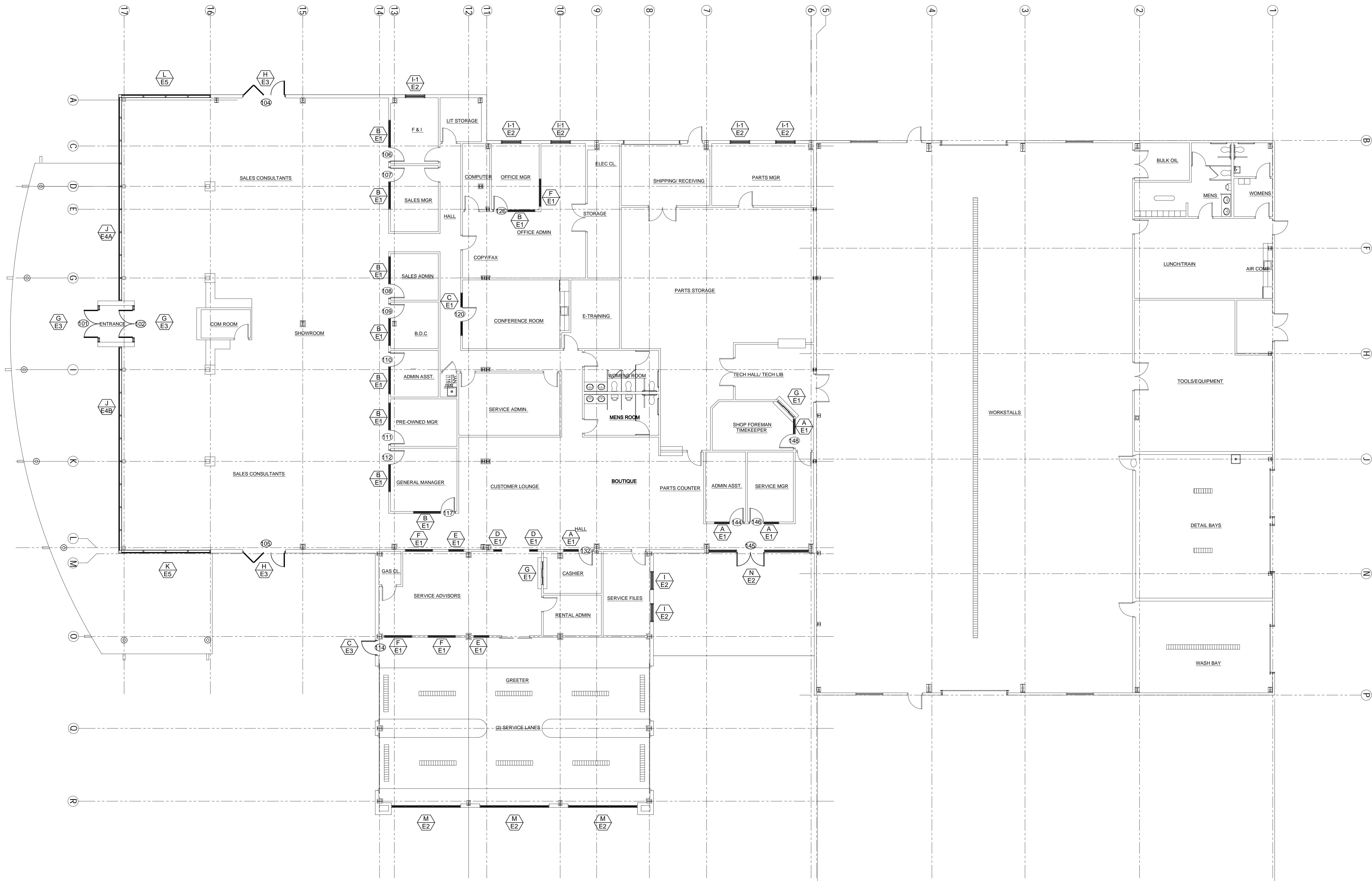
GLASS COMPANY

ARCHITECT
ADDRESS
CITY, ST, ZIP
CONTRACTOR
ADDRESS
CITY, ST, ZIP

COVER SHEET

JOB
ADDRESS
CITY, ST, ZIP
AREA

SCALE:
NO SCALE
DATE:
12/30/10
FILENAME:
FILENAME
SHEET



PARTIAL PLAN VIEW
 SCALE : NOT TO SCALE
 FOR LOCATION AND QUANTITY PURPOSES ONLY
 ARCHITECTURAL REFERENCE 1/A2

1
P1

GENERAL NOTES

REVISIONS

GLASS COMPANY

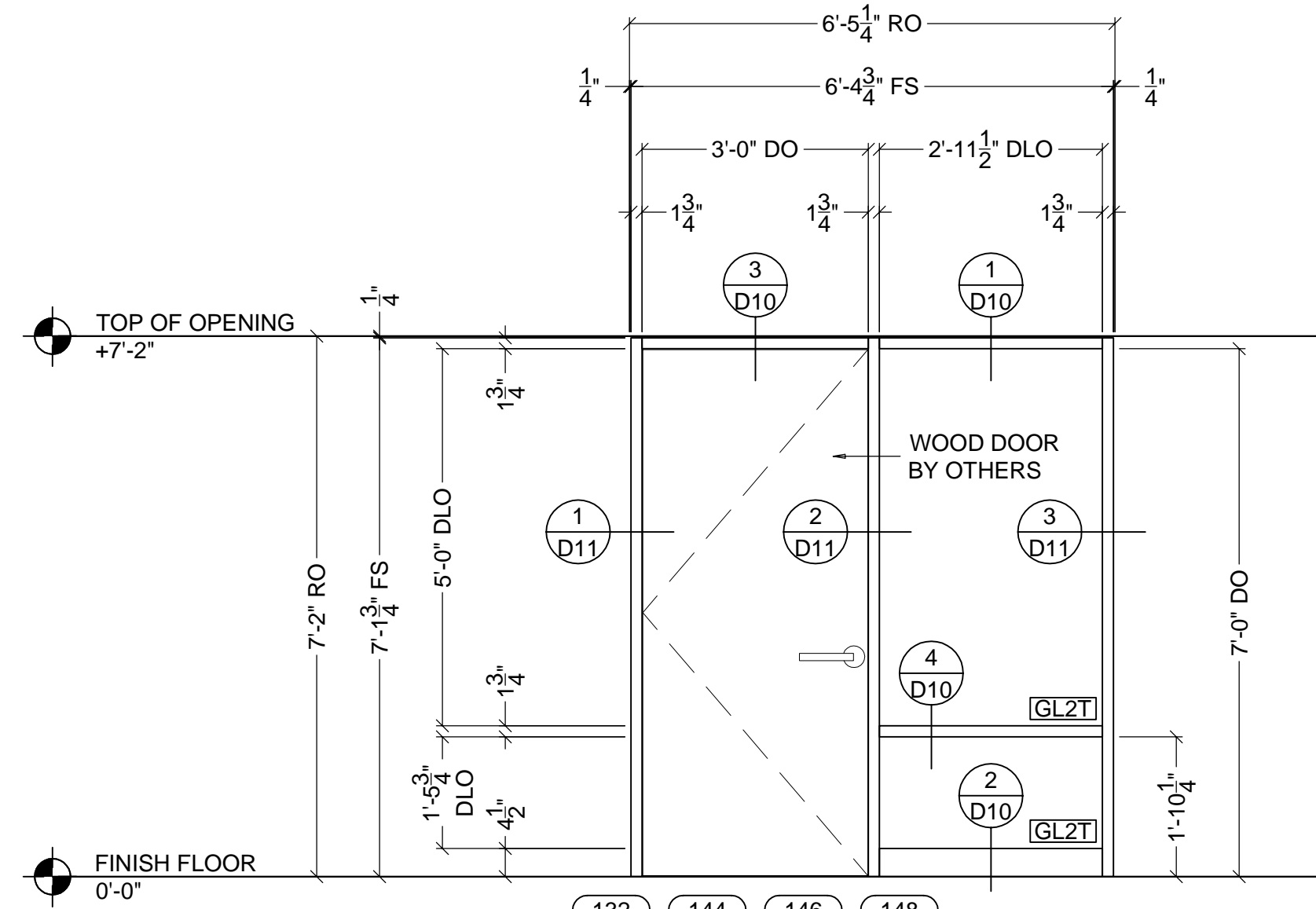
ARCHITECT
 ADDRESS
 CITY, ST, ZIP

CONTRACTOR
 ADDRESS
 CITY, ST, ZIP

PLAN VIEW
 JOB
 ADDRESS
 CITY, ST, ZIP
 AREA

SCALE:
 NOT TO SCALE
 DATE:
 12/30/10
 FILENAME:
 ARCHITECTURAL REFERENCE 1/A2
 SHEET

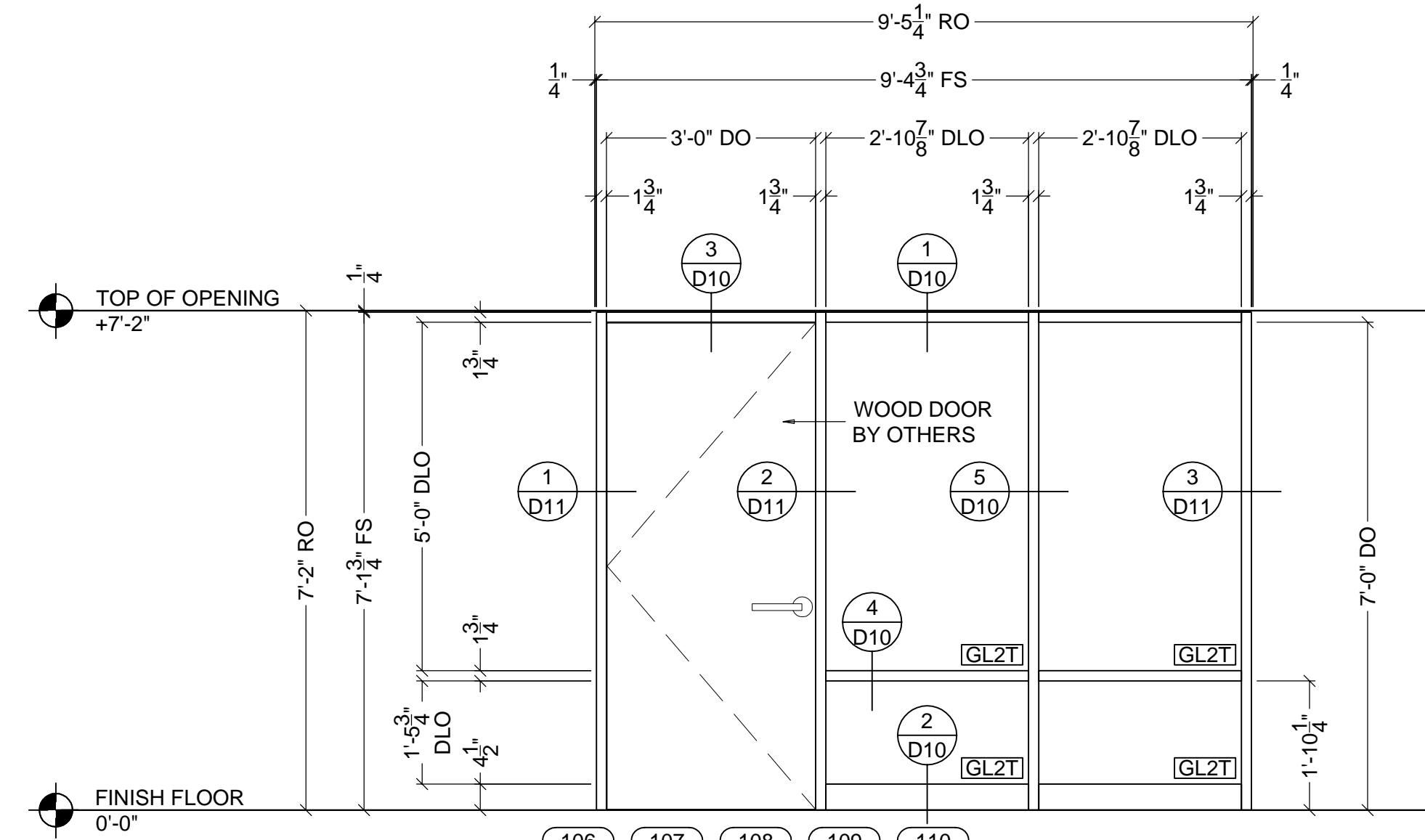
P1



ELEVATION "A"

KAWNEER SERIES 450 (1 3/4" X 4 1/2") STOREFRONT SYSTEM
TWO (2) THUS - DOOR #132 & #146
TWO (2) OPPOSITE - DOOR #144 & #148
ARCHITECTURAL REFERENCE A/A10

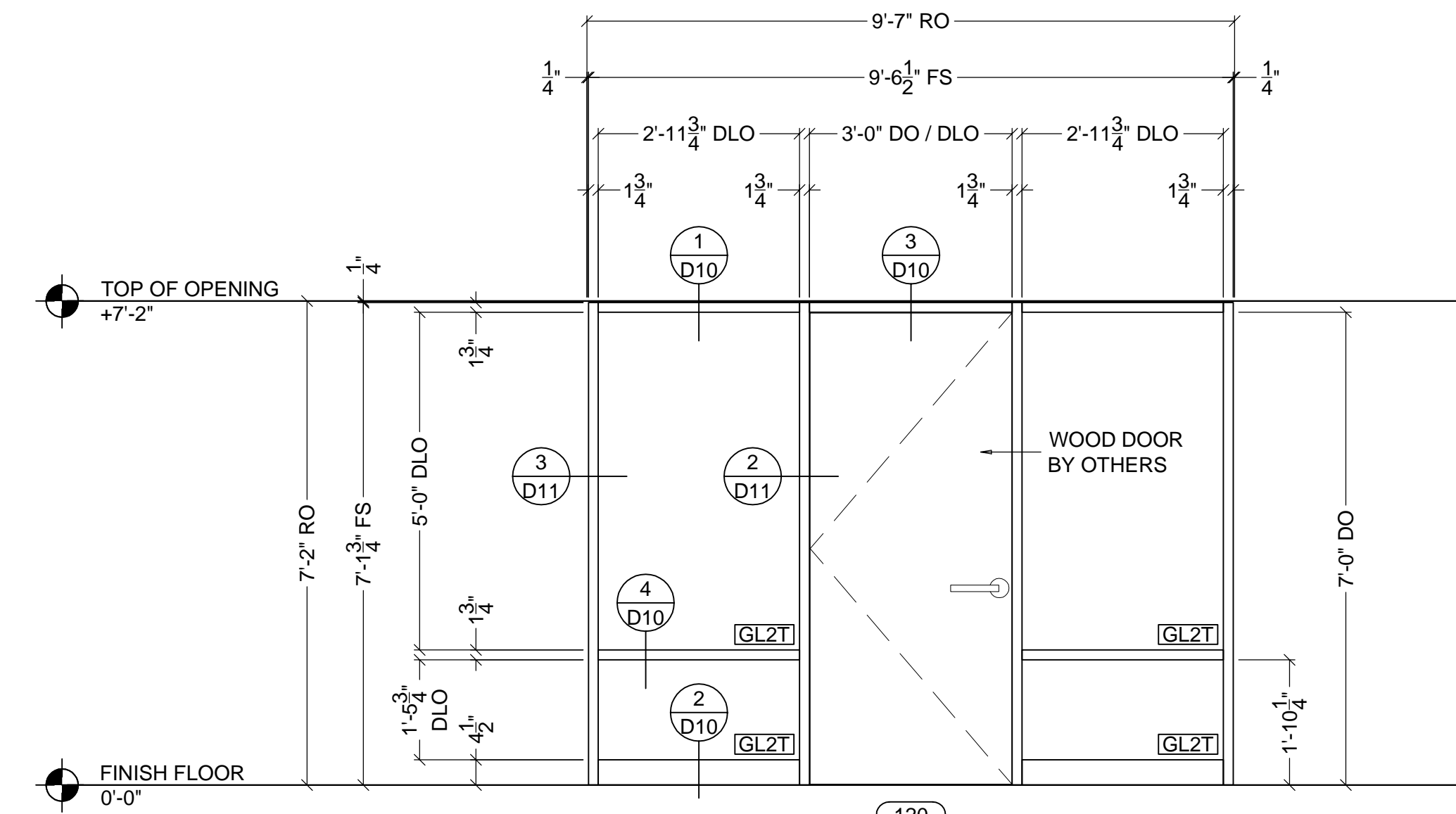
A
E1



ELEVATION "B"

KAWNEER SERIES 450 (1 3/4" X 4 1/2") STOREFRONT SYSTEM
FIVE (5) THUS - DOOR #107, #109, #110, #112 & #126
FOUR (4) OPPOSITE - DOOR #106, #108, #111 & #117
ARCHITECTURAL REFERENCE B/A10

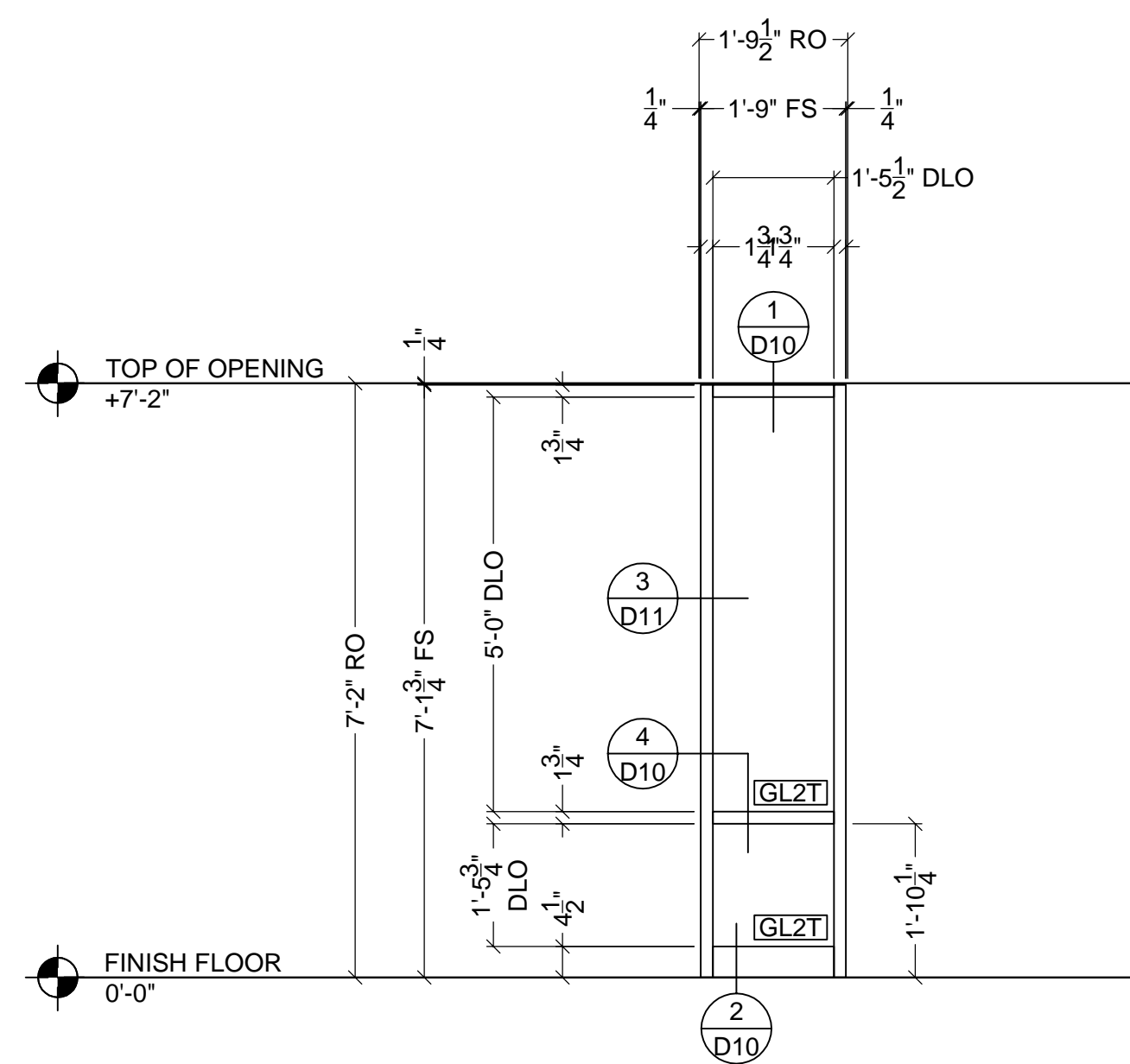
B
E1



ELEVATION "C"

KAWNEER SERIES 450 (1 3/4" X 4 1/2") STOREFRONT SYSTEM
ONE (1) THUS
ARCHITECTURAL REFERENCE C/A10

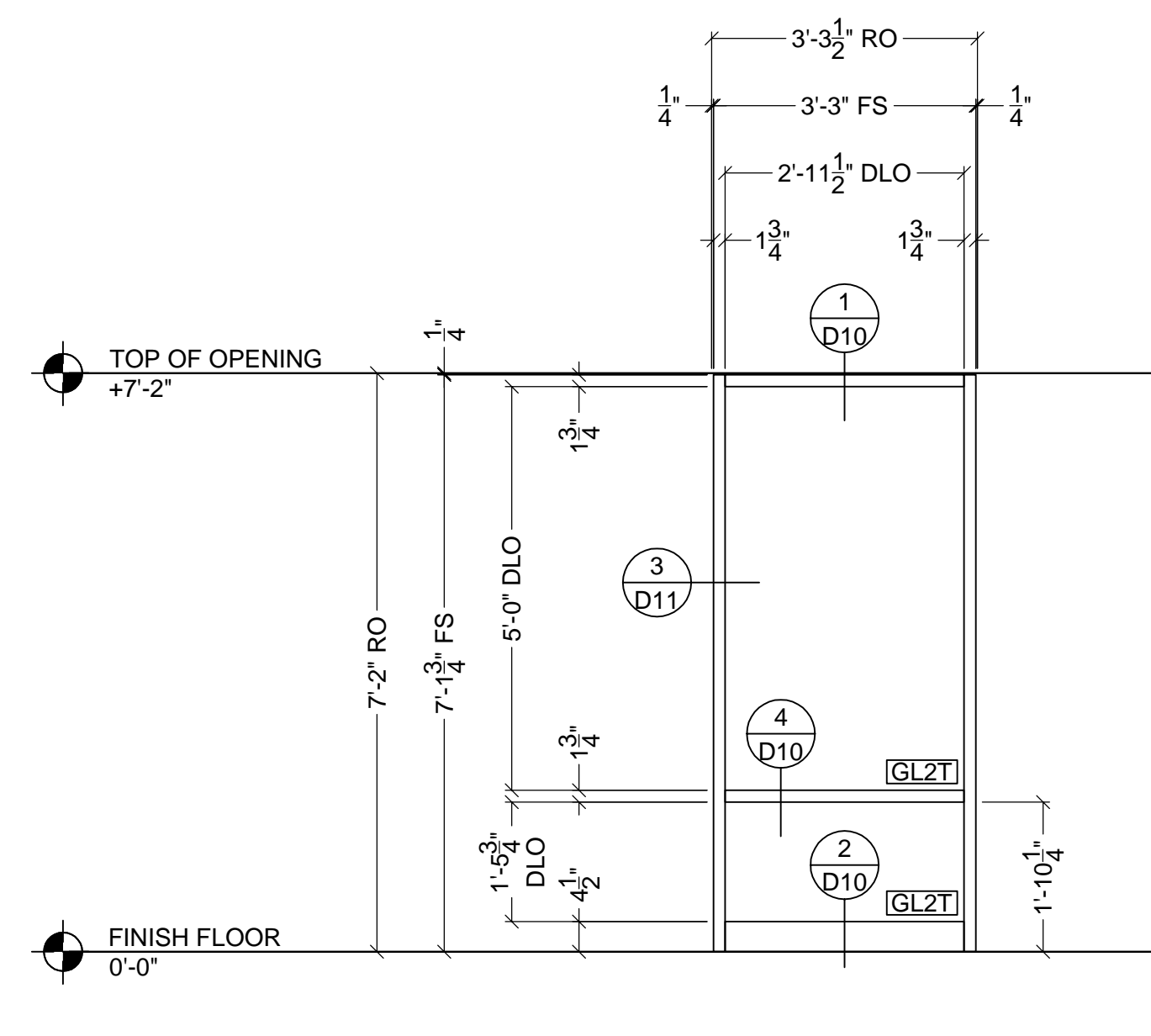
C
E1



ELEVATION "D"

KAWNEER SERIES 450 (1 3/4" X 4 1/2") STOREFRONT SYSTEM
TWO (2) THUS
ARCHITECTURAL REFERENCE D/A10

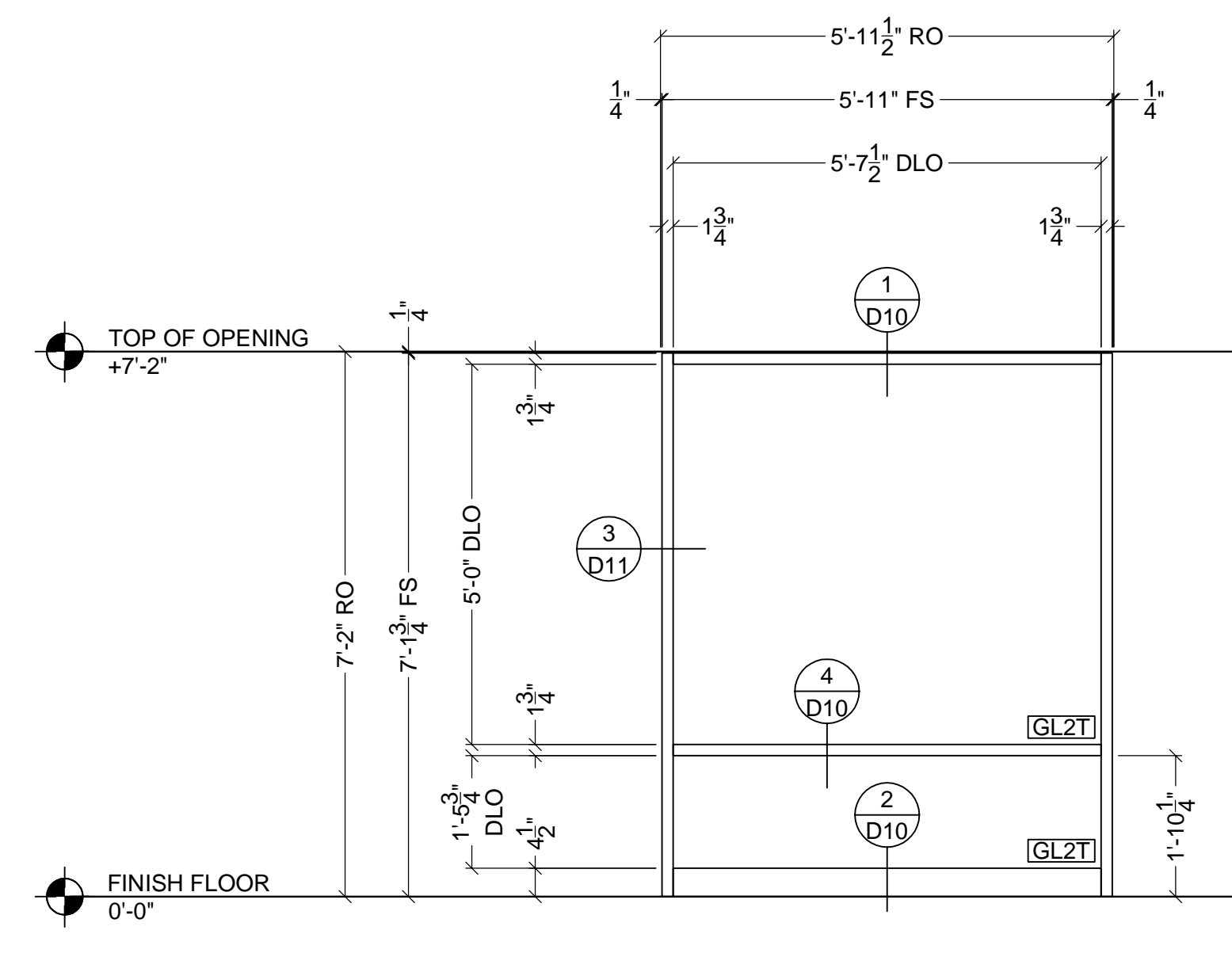
D
E1



ELEVATION "E"

KAWNEER SERIES 450 (1 3/4" X 4 1/2") STOREFRONT SYSTEM
TWO (2) THUS
ARCHITECTURAL REFERENCE E/A10

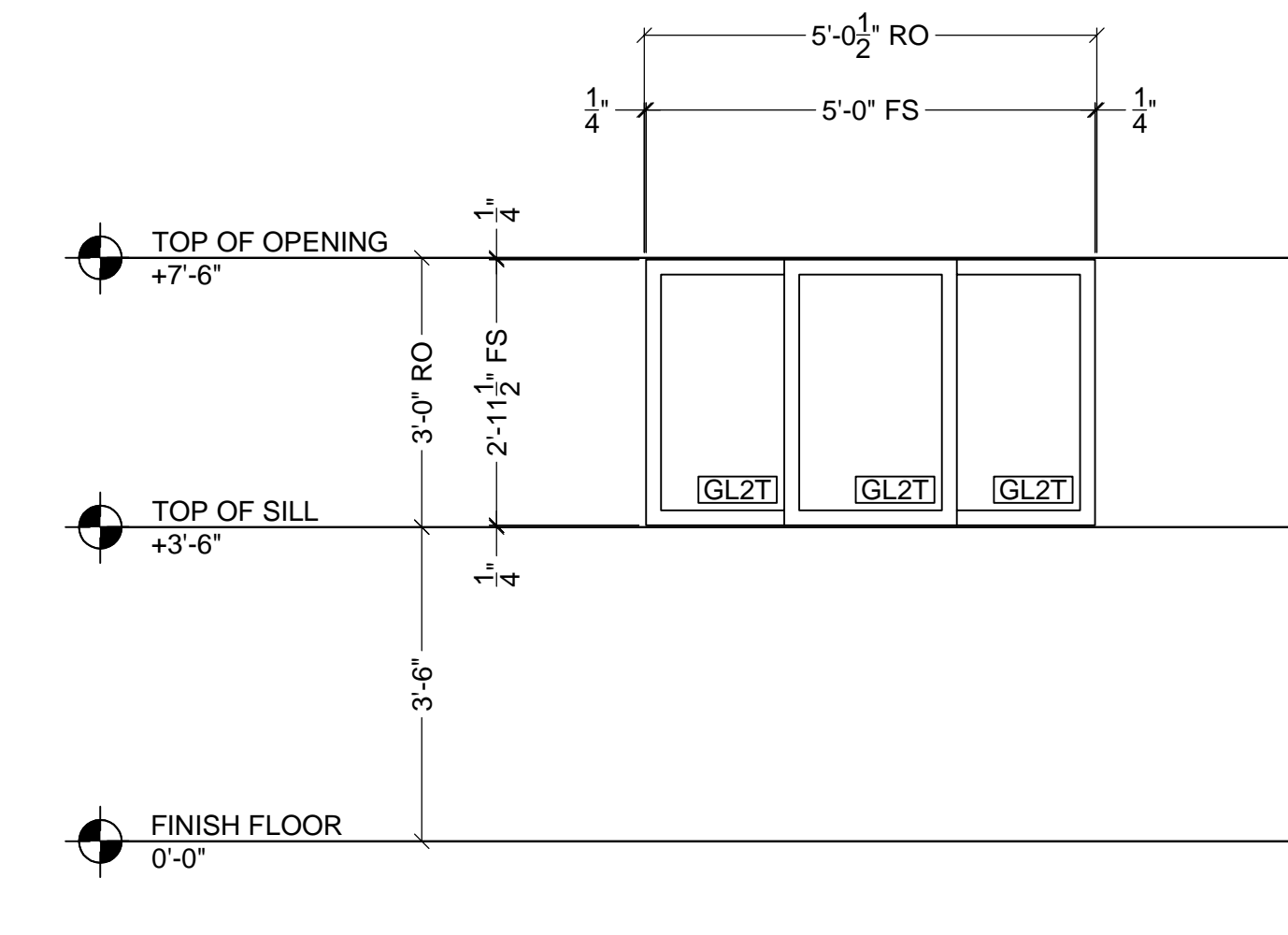
E
E1



ELEVATION "F"

KAWNEER SERIES 450 (1 3/4" X 4 1/2") STOREFRONT SYSTEM
FOUR (4) THUS
ARCHITECTURAL REFERENCE F/A10

F
E1



ELEVATION "G"

CRL SLIDING WINDOW SYSTEM
TWO (2) THUS
ARCHITECTURAL REFERENCE G/A10

G
E1

GENERAL NOTES

REVISIONS

GLASS COMPANY

ARCHITECT
ADDRESS
CITY, ST, ZIP

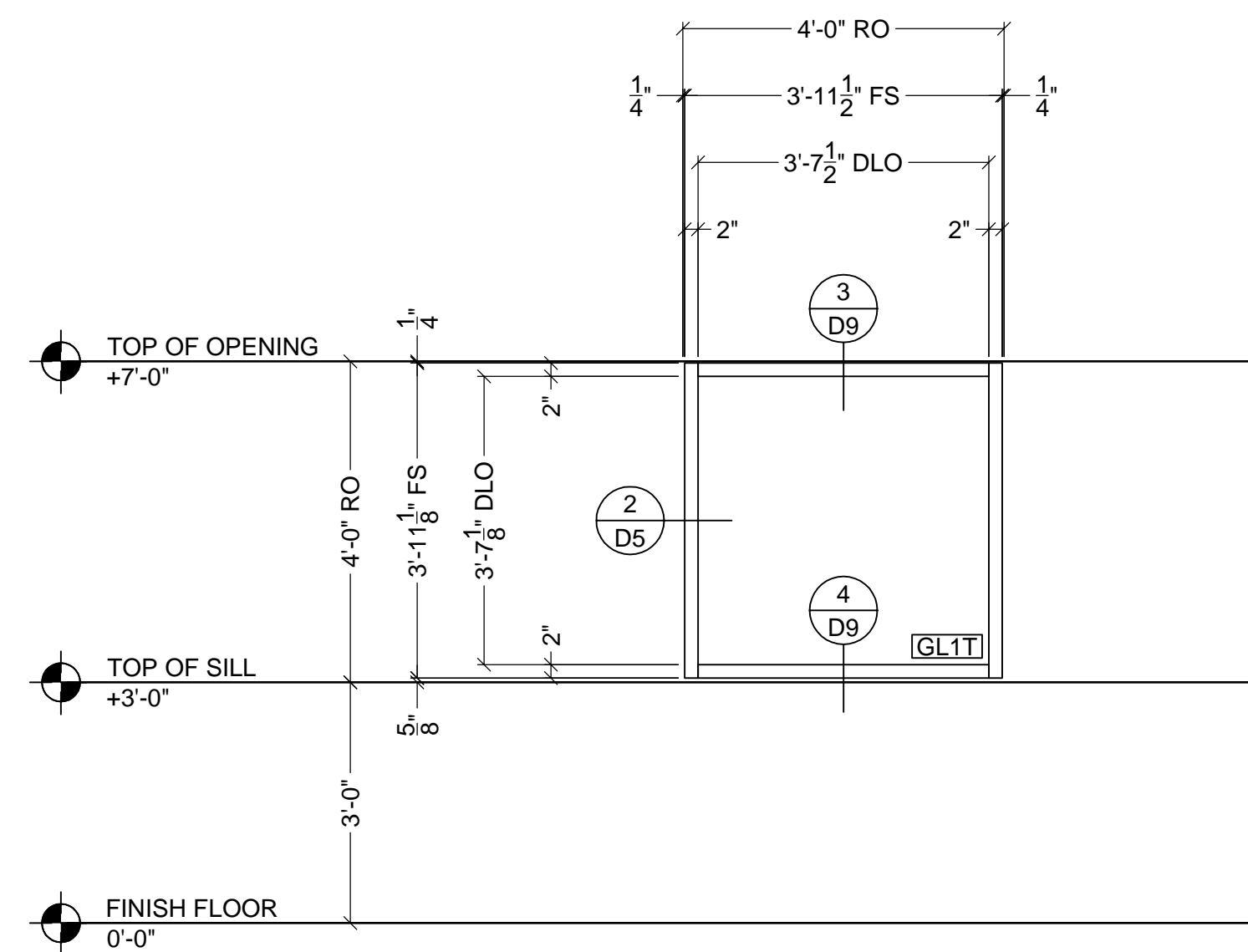
CONTRACTOR
ADDRESS
CITY, ST, ZIP

ELEVATIONS

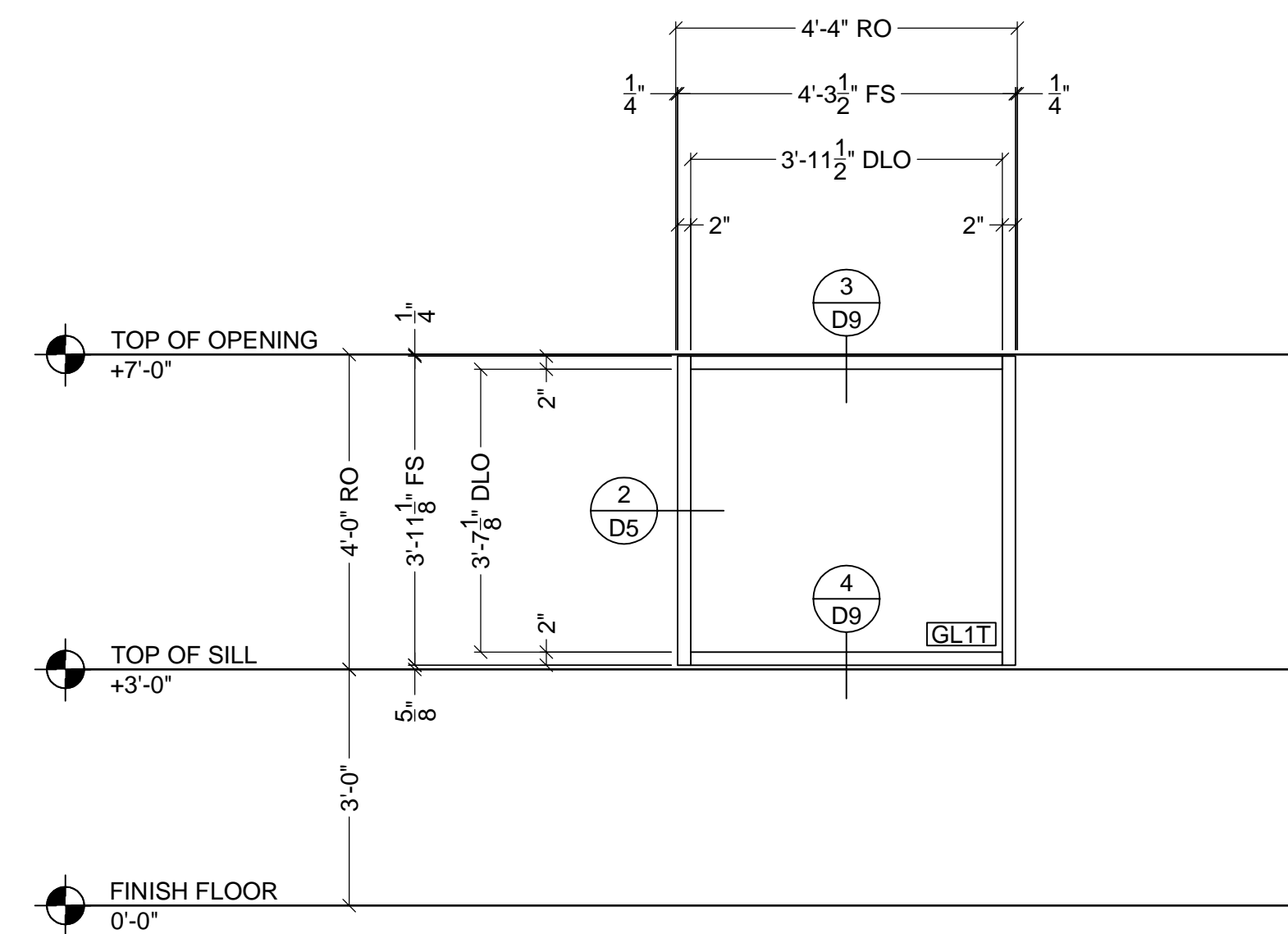
JOB
ADDRESS
CITY, ST, ZIP
AREA

SCALE:
1/2" = 1'-0"
DATE:
12/30/10
FILENAME:
FILENAME
SHEET

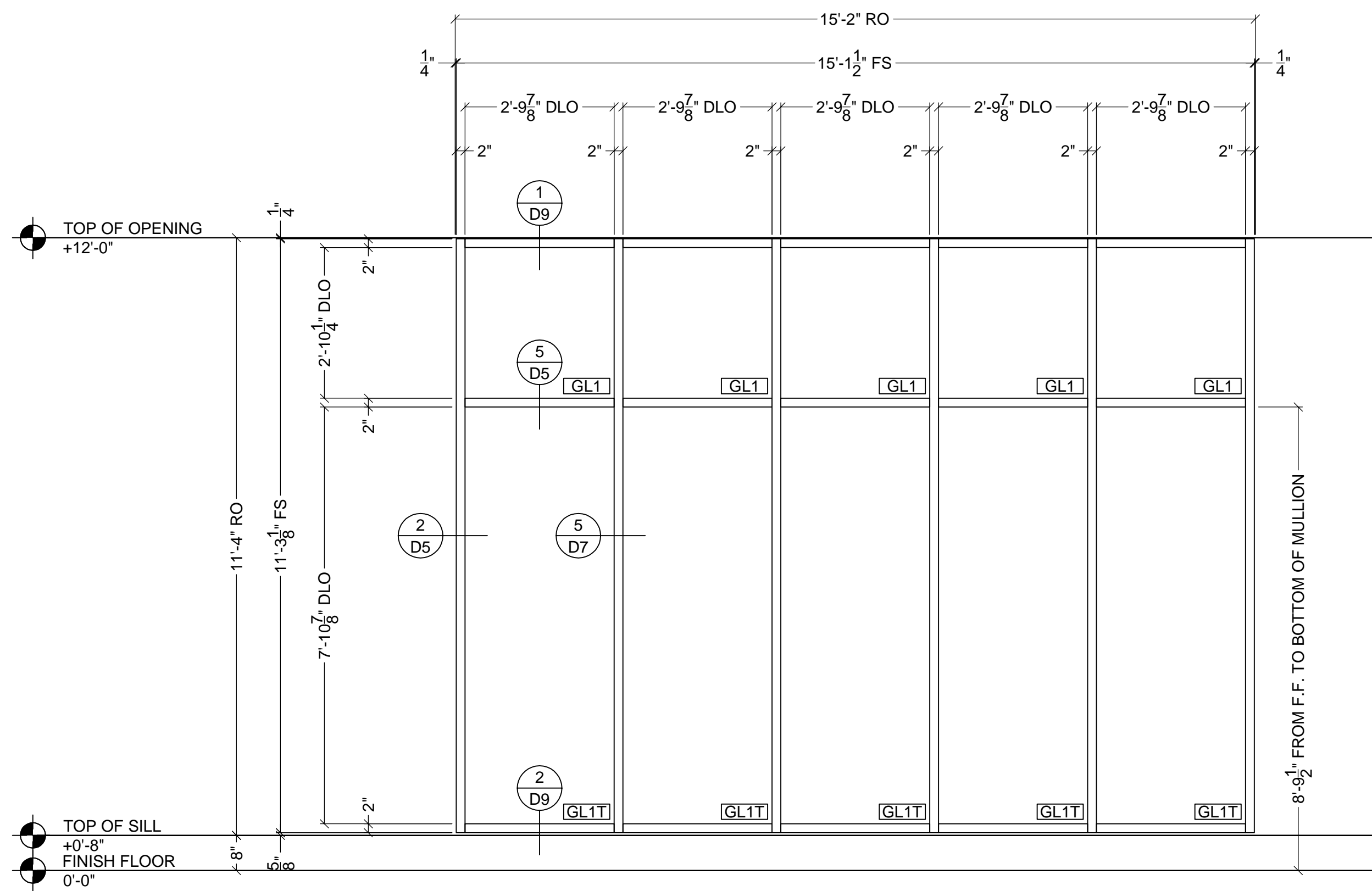
E1



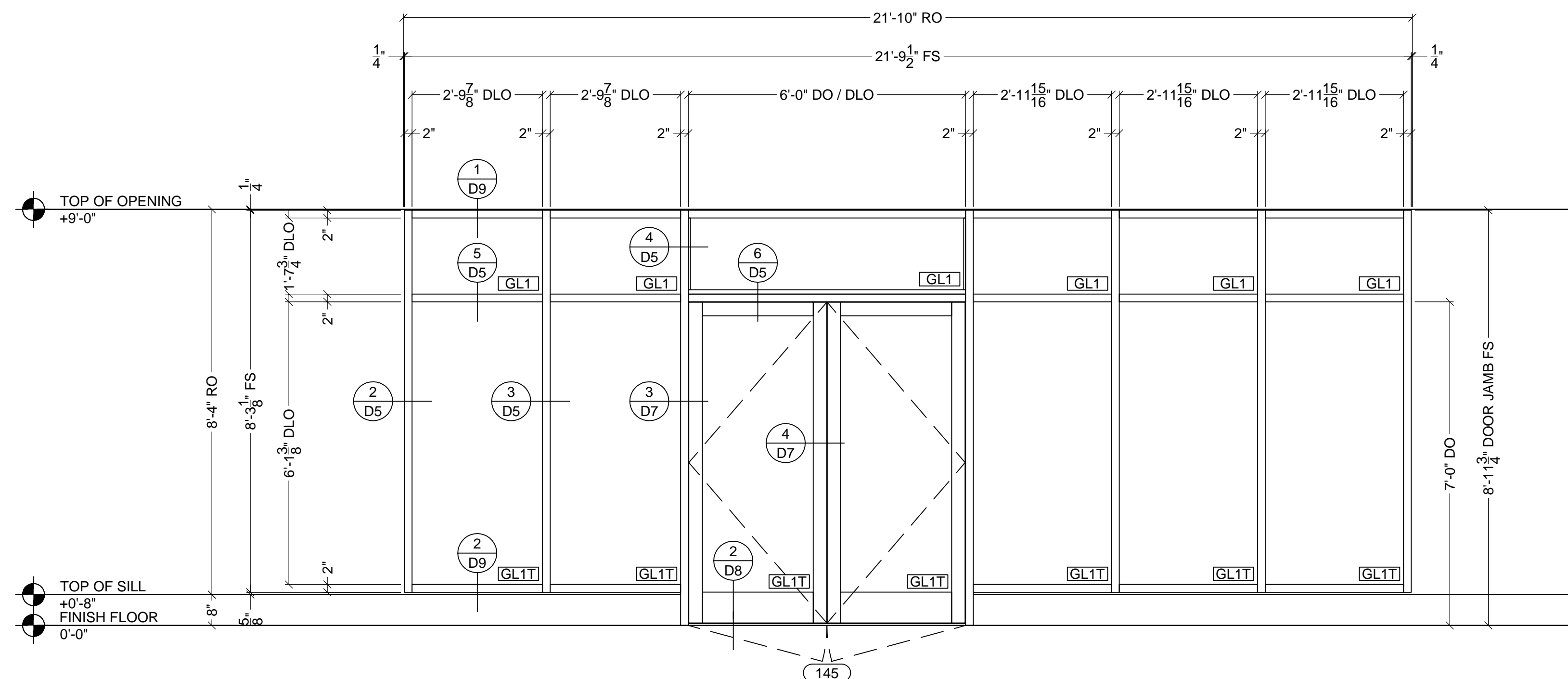
ELEVATION "I"
 KAWNEER SERIES 451T (2" X 4 1/2") STOREFRONT SYSTEM
 TWO (2) THUS
 ARCHITECTURAL REFERENCE I - I-1/A11



ELEVATION "I-1"
 KAWNEER SERIES 451T (2" X 4 1/2") STOREFRONT SYSTEM
 FIVE (5) THUS
 ARCHITECTURAL REFERENCE I - I-1/A11



ELEVATION "M"
 KAWNEER SERIES 451T (2" X 4 1/2") STOREFRONT SYSTEM
 THREE (3) THUS
 ARCHITECTURAL REFERENCE M/A11



ELEVATION "N" - DOOR #145
 KAWNEER SERIES 451T (2" X 4 1/2") STOREFRONT SYSTEM
 KAWNEER SERIES 350 MEDIUM STILE DOORS
 ONE (1) THUS
 ARCHITECTURAL REFERENCE N/A11

GENERAL NOTES

REVISIONS

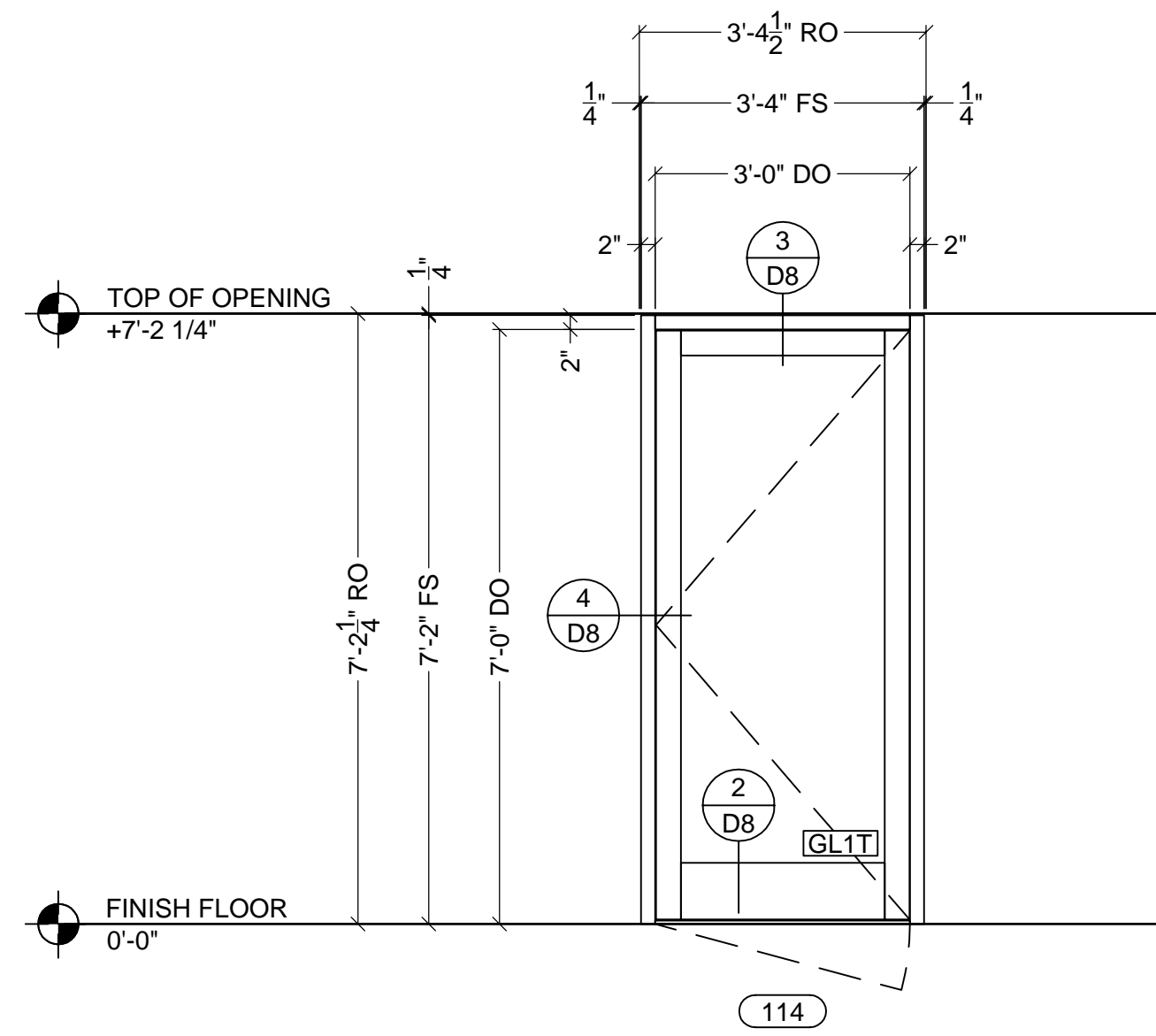
GLASS COMPANY

ARCHITECT
 ADDRESS
 CITY, ST, ZIP

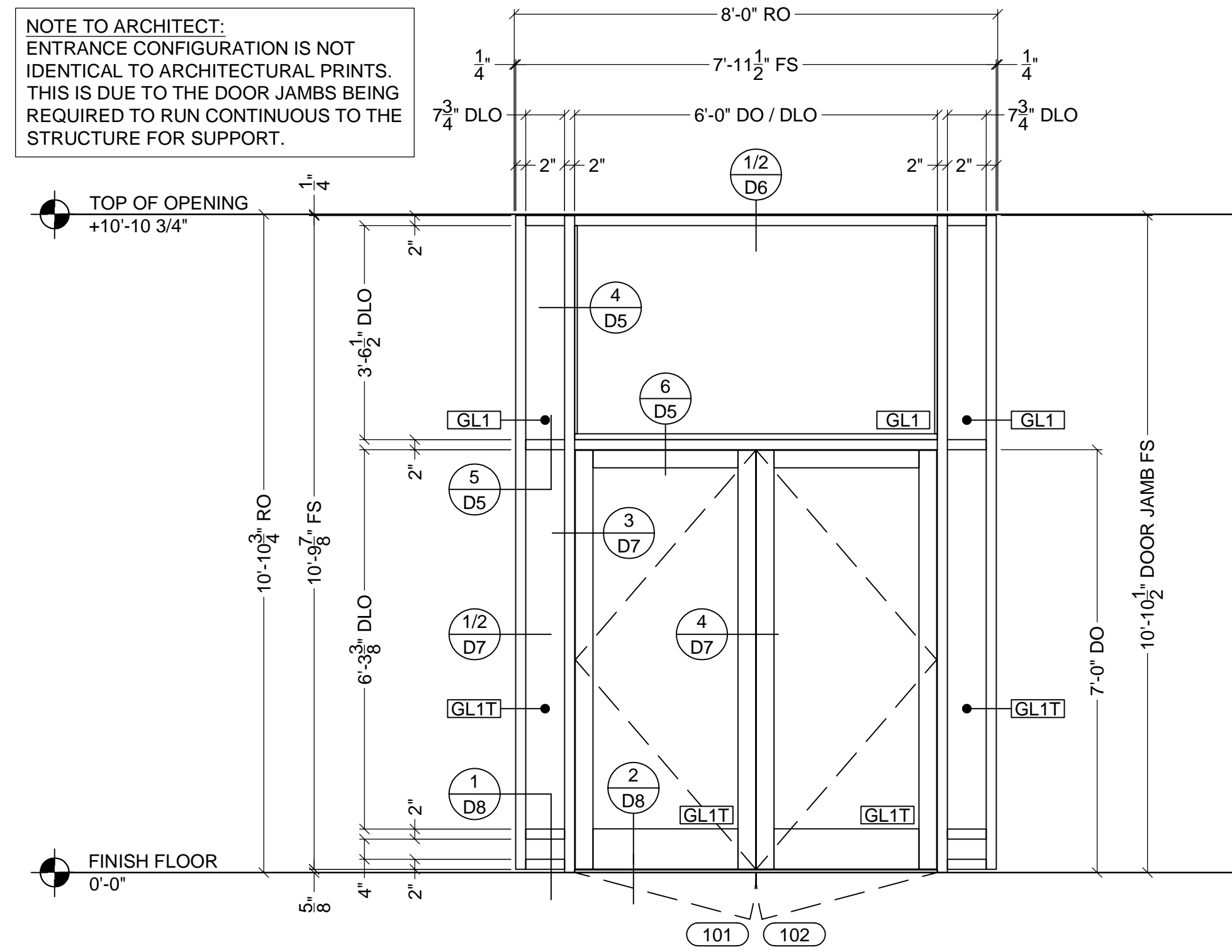
CONTRACTOR
 ADDRESS
 CITY, ST, ZIP

ELEVATIONS
 JOB
 ADDRESS
 CITY, ST, ZIP
 AREA

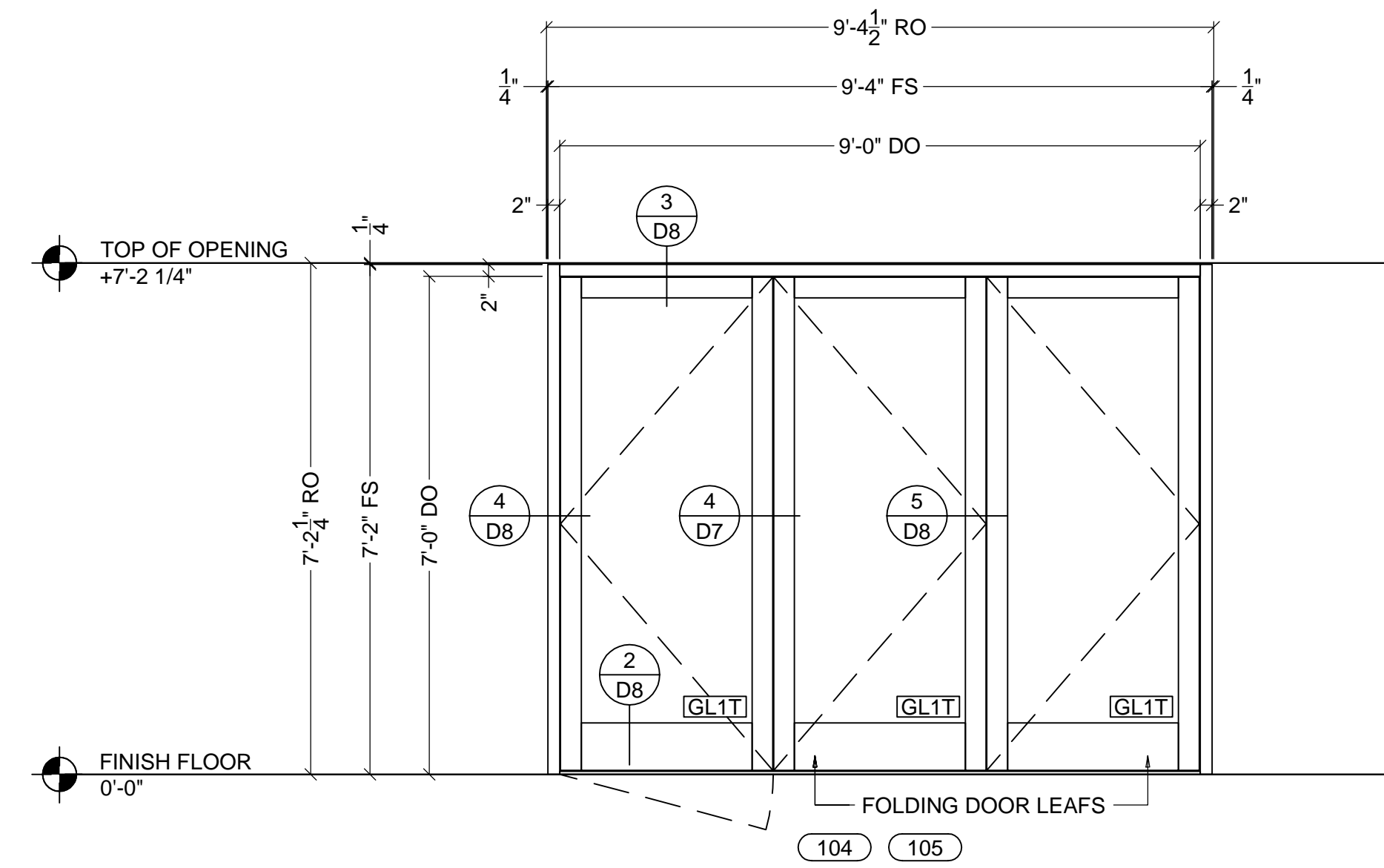
SCALE:
 1/2" = 1'-0"
 DATE:
 12/30/10
 FILENAME:
 SHEET



ELEVATION DOOR "C" - DOOR #114 C
E3
 KAWNEER SERIES 451 (2" X 4 1/2") STOREFRONT SYSTEM
 KAWNEER SERIES 350 MEDIUM STILE DOORS
 ONE (1) THUS
 ARCHITECTURAL REFERENCE C/A10



ELEVATION DOOR "G" - DOOR #101 & #102 G
E3
 KAWNEER SERIES 451T (2" X 4 1/2") STOREFRONT SYSTEM
 KAWNEER SERIES 350 MEDIUM STILE DOORS
 TWO (2) THUS
 ARCHITECTURAL REFERENCE G/A10



ELEVATION DOOR "H" - DOOR #104 & #105 H
E3
 KAWNEER SERIES 451 (2" X 4 1/2") STOREFRONT SYSTEM
 KAWNEER SERIES 350 MEDIUM STILE DOORS
 TWO (2) THUS
 ARCHITECTURAL REFERENCE H/A10

REVISIONS

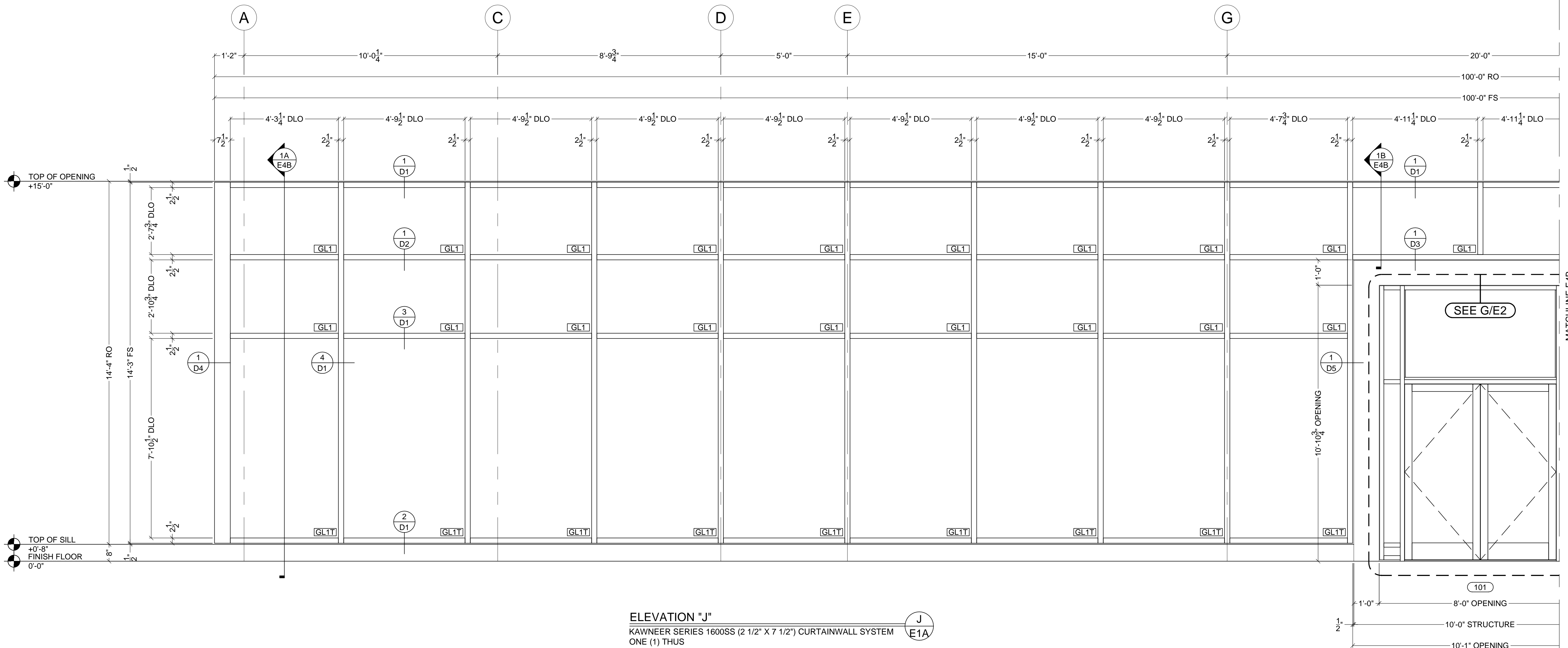
GLASS COMPANY

ARCHITECT
 ADDRESS
 CITY, ST, ZIP

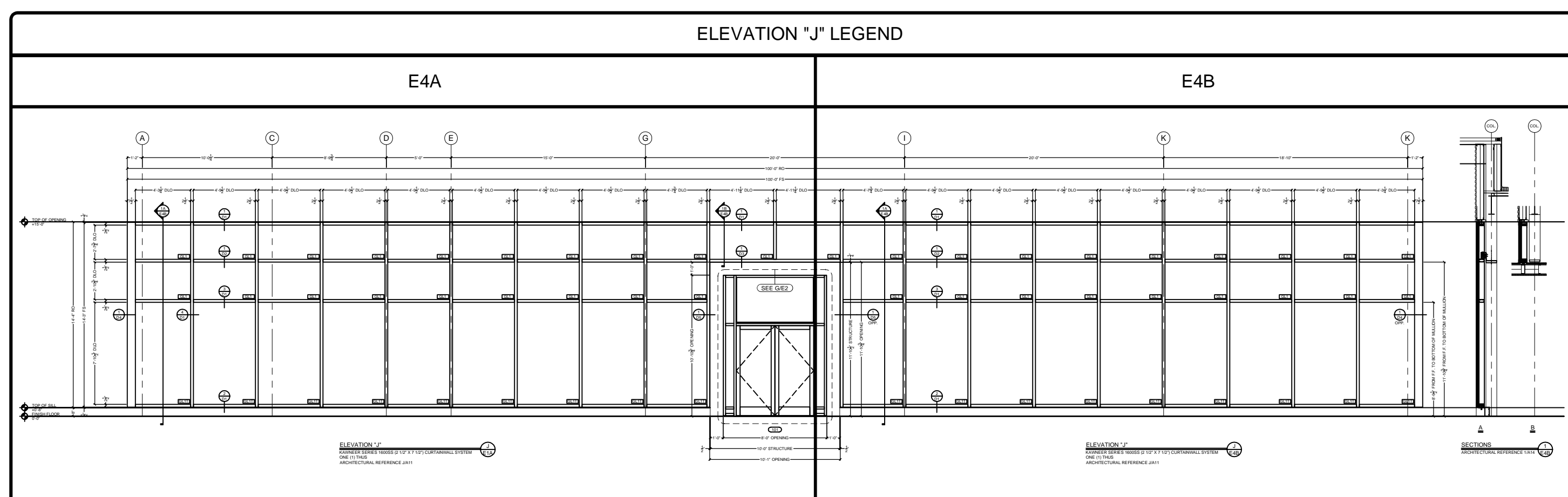
CONTRACTOR
 ADDRESS
 CITY, ST, ZIP

ELEVATIONS
 JOB
 ADDRESS
 CITY, ST, ZIP
 AREA

SCALE:
 1/2" = 1'-0"
 DATE:
 12/30/10
 FILENAME:
 SHEET



ELEVATION "J"
 KAWNEER SERIES 1600SS (2 1/2" X 7 1/2") CURTAINWALL SYSTEM
 ONE (1) THUS
 ARCHITECTURAL REFERENCE J/A11



REVISIONS

GLASS COMPANY

ARCHITECT
 ADDRESS
 CITY, ST, ZIP

CONTRACTOR
 ADDRESS
 CITY, ST, ZIP

ELEVATIONS

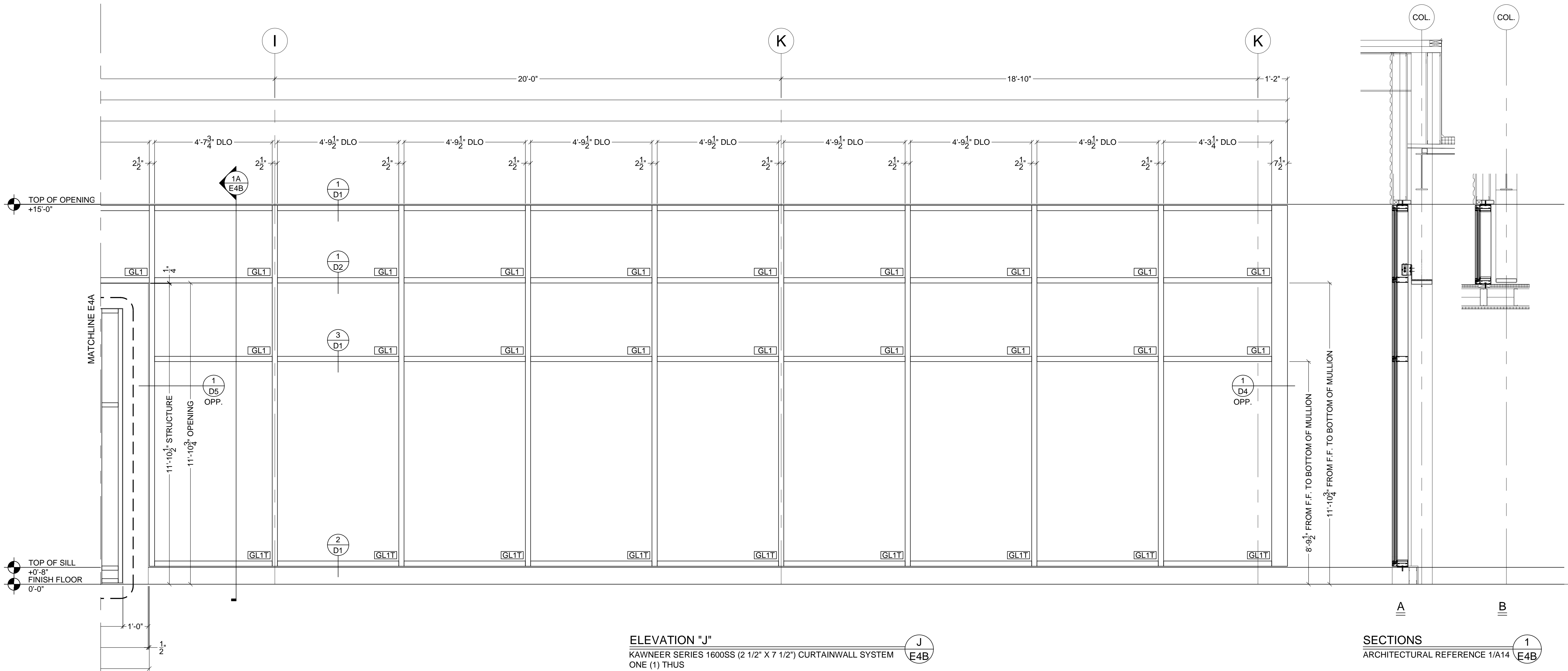
JOB
 ADDRESS
 CITY, ST, ZIP
 AREA

SCALE:
 1/2" = 1'-0"

DATE:
 12/30/10

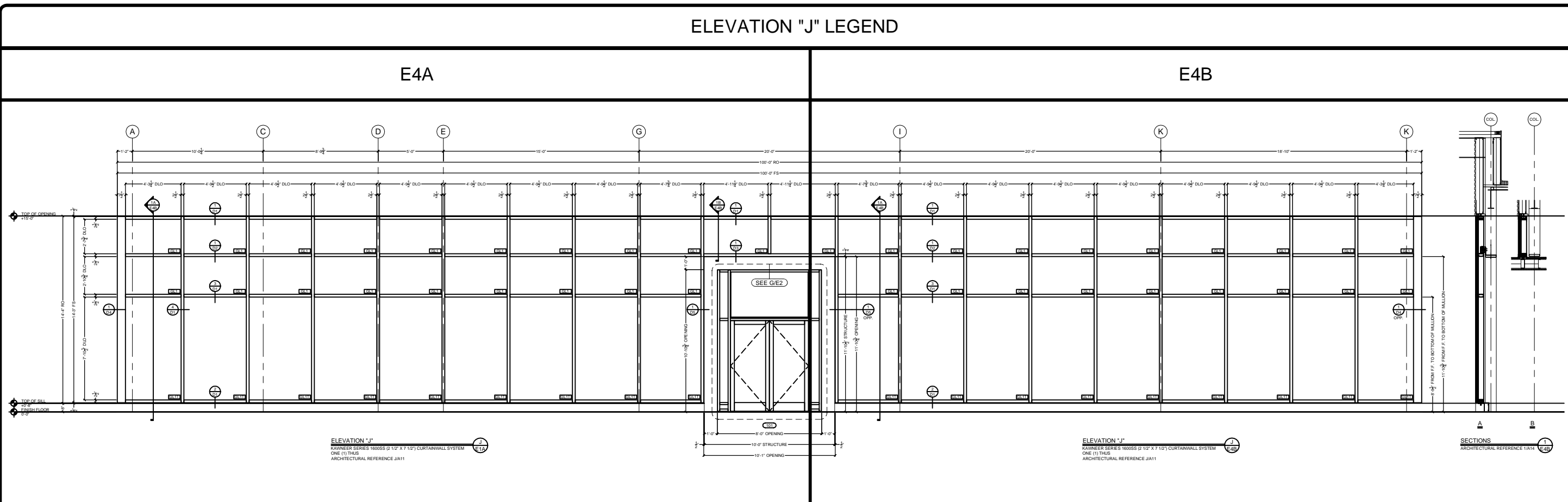
FILENAME:
 FILENAME

SHEET



ELEVATION "J"
 KAWNEER SERIES 1600SS (2 1/2" X 7 1/2") CURTAINWALL SYSTEM
 ONE (1) THUS
 ARCHITECTURAL REFERENCE J/A11

SECTIONS
 ARCHITECTURAL REFERENCE 1/A14



REVISIONS

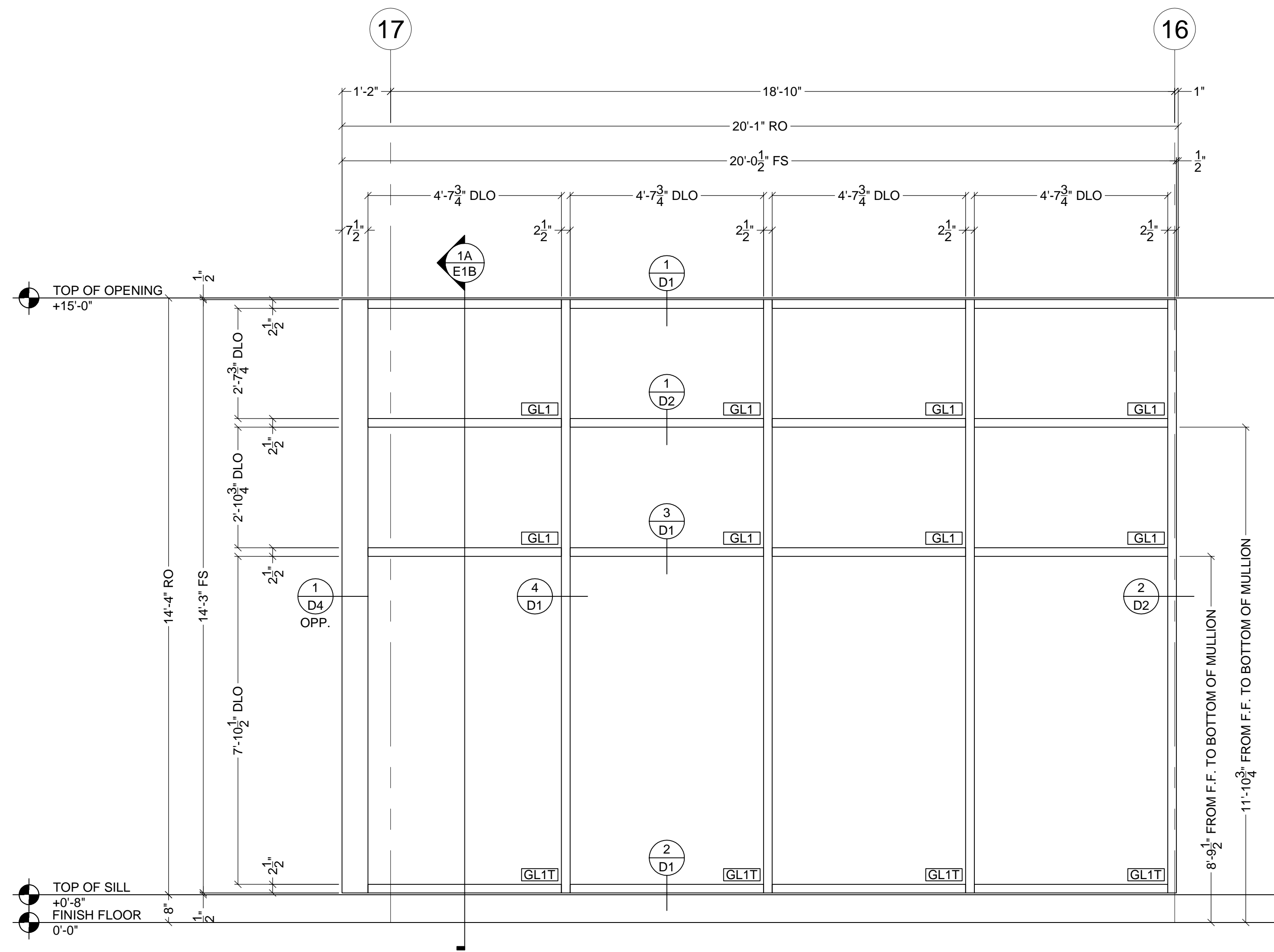
GLASS COMPANY

ARCHITECT
 ADDRESS
 CITY, ST, ZIP

CONTRACTOR
 ADDRESS
 CITY, ST, ZIP

ELEVATIONS
 JOB
 ADDRESS
 CITY, ST, ZIP
 AREA

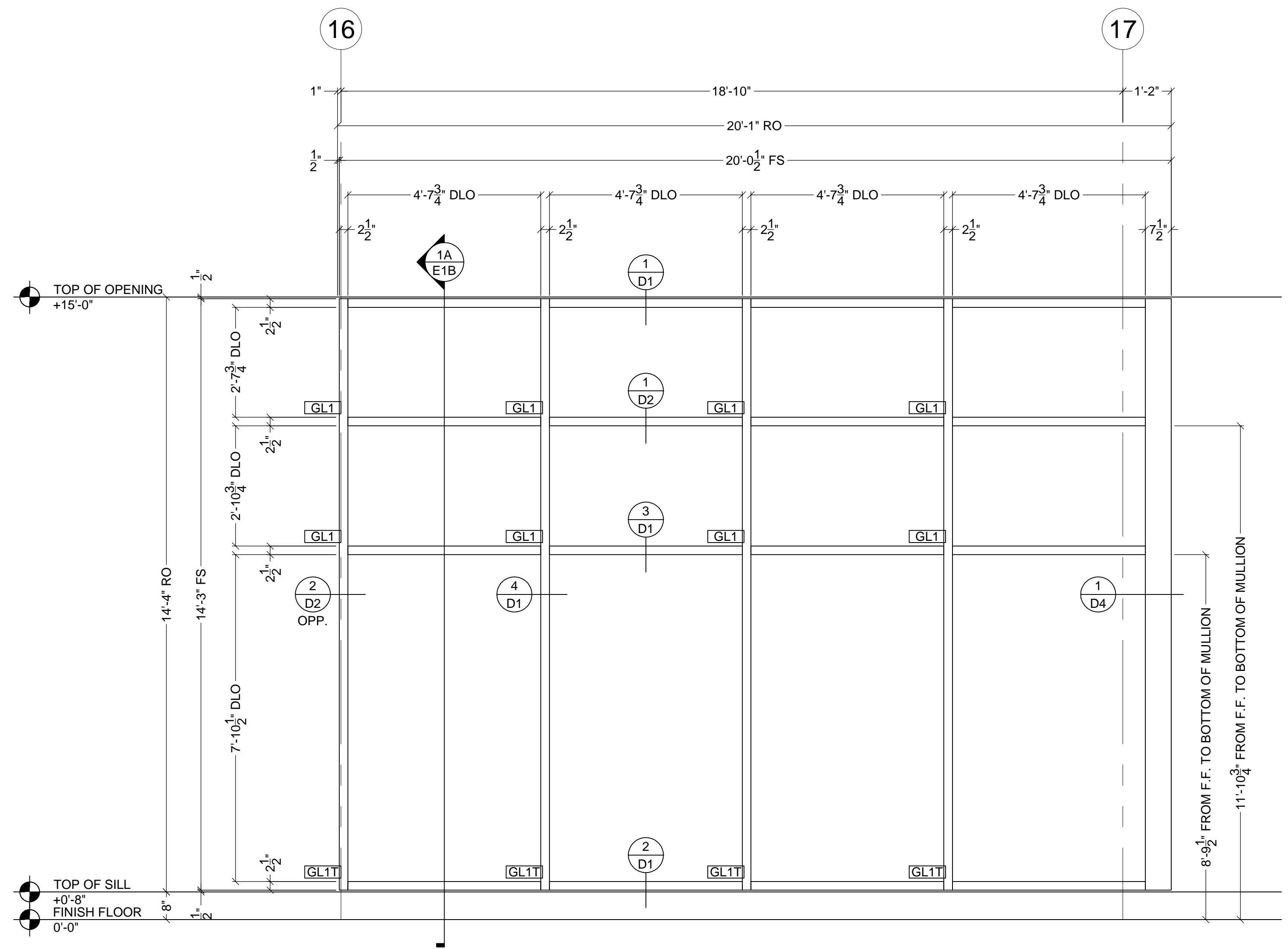
SCALE:
 1/2" = 1'-0"
 DATE:
 12/30/10
 FILENAME:
 SHEET



ELEVATION "K"

KAWNEER SERIES 1600SS (2 1/2" X 7 1/2") CURTAINWALL SYSTEM
 ONE (1) THUS
 ARCHITECTURAL REFERENCE K/A11

K
E5



ELEVATION "L"

KAWNEER SERIES 1600SS (2 1/2" X 7 1/2") CURTAINWALL SYSTEM
 ONE (1) THUS
 ARCHITECTURAL REFERENCE L/A11

L
E5

REVISIONS

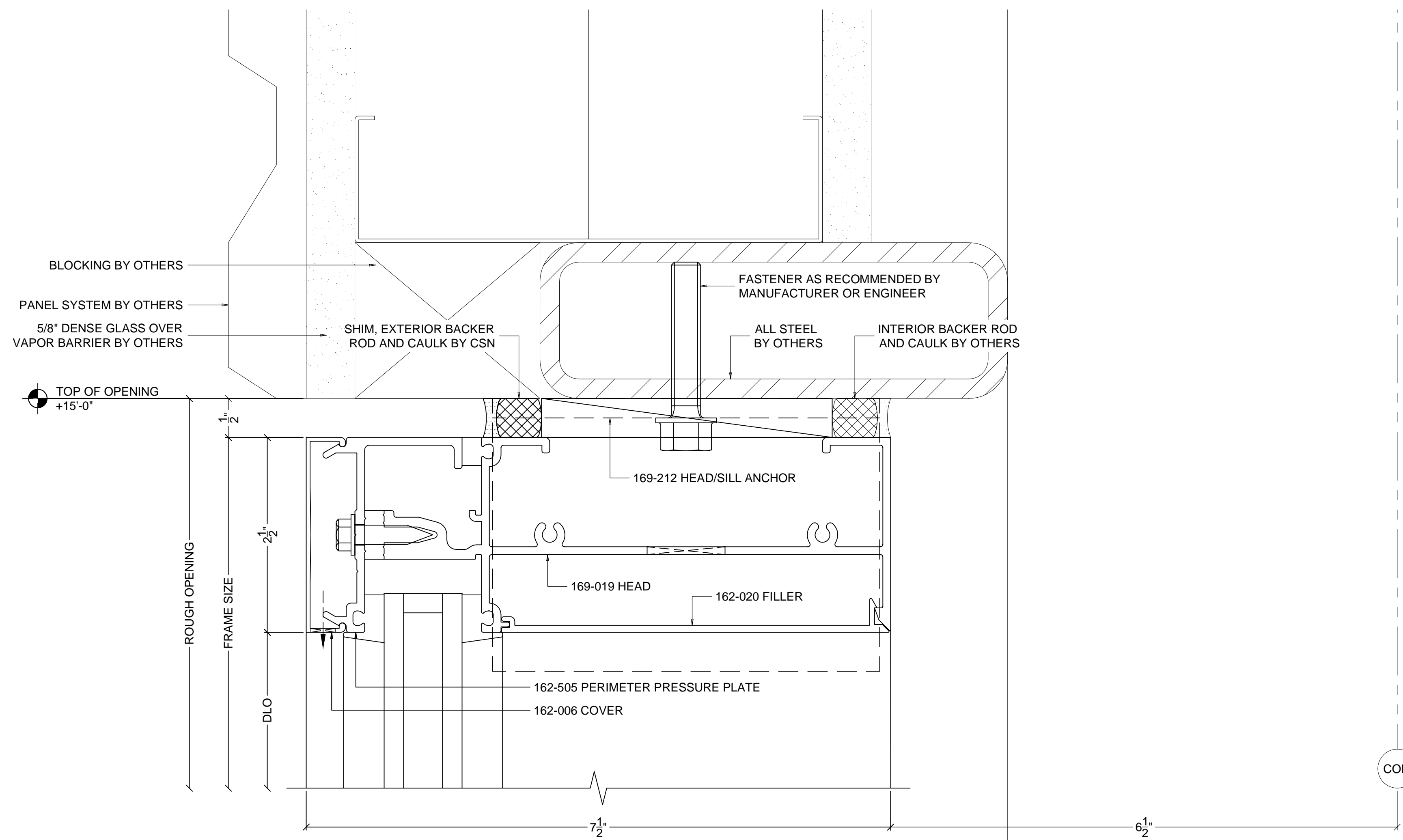
GLASS COMPANY

ARCHITECT
ADDRESS
CITY, ST, ZIP
CONTRACTOR
ADDRESS
CITY, ST, ZIP

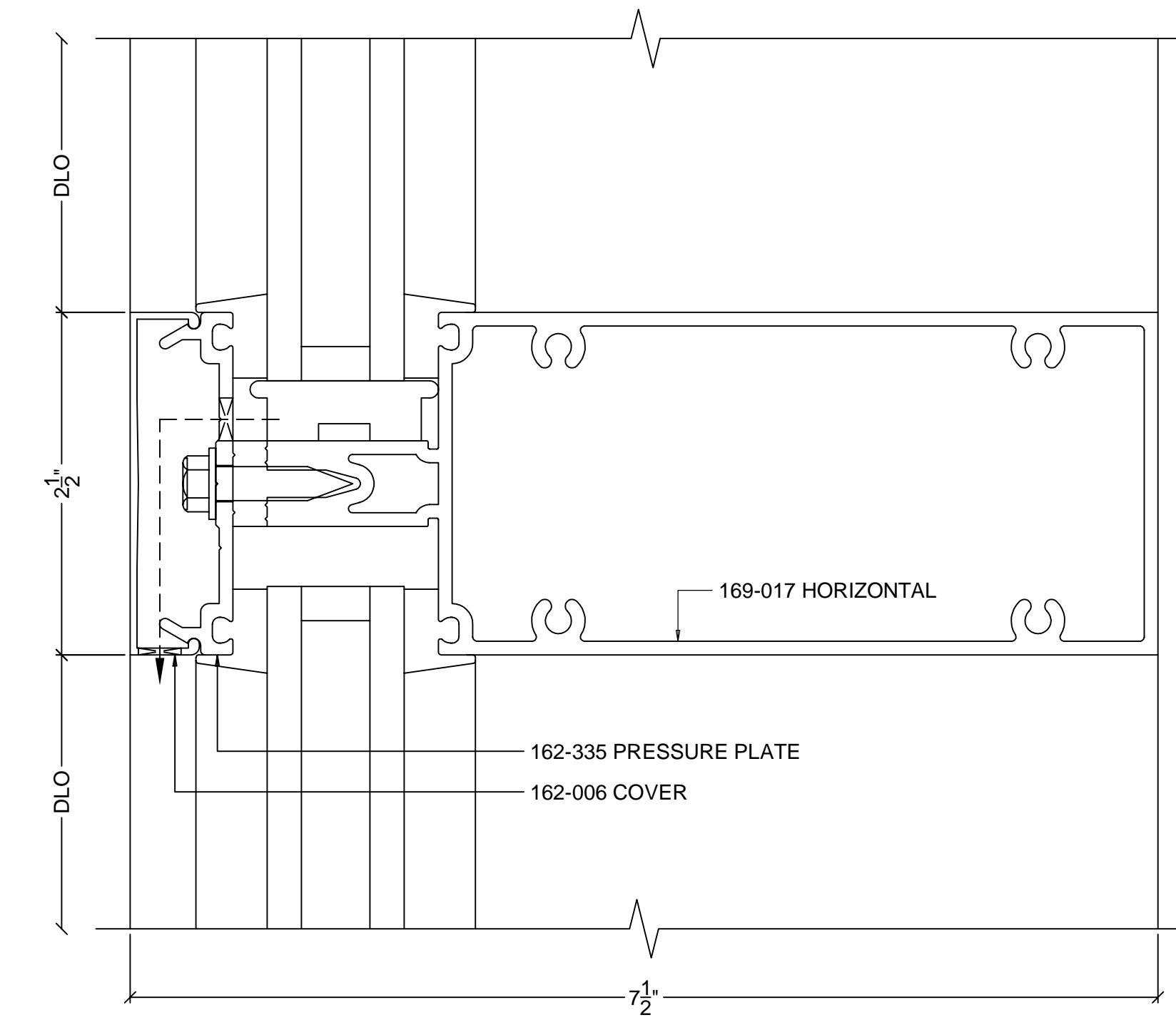
ELEVATIONS

JOB
ADDRESS
CITY, ST, ZIP
AREA

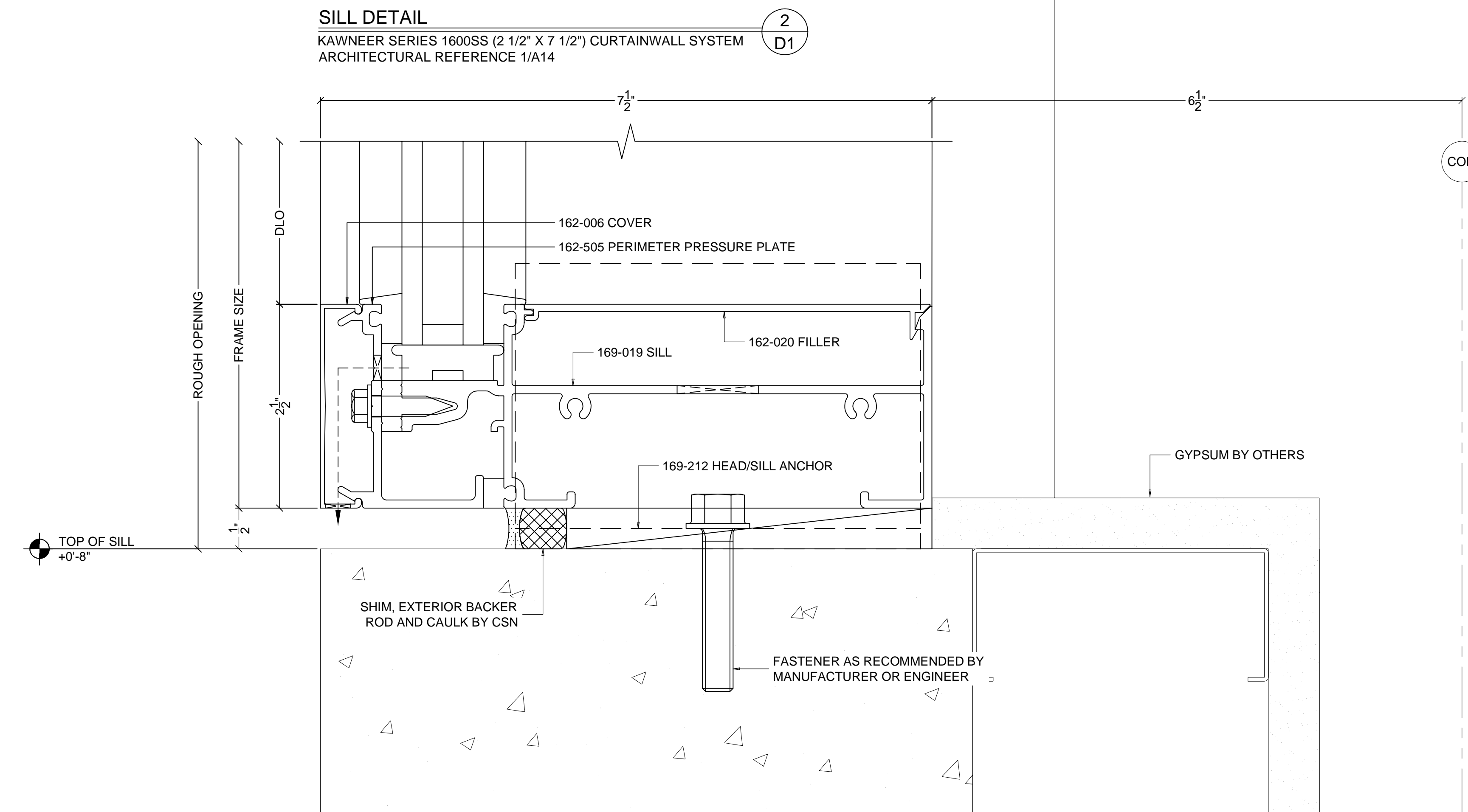
SCALE: 1/2" = 1'-0"
DATE: 12/30/10
FILENAME:
FILENAME
SHEET



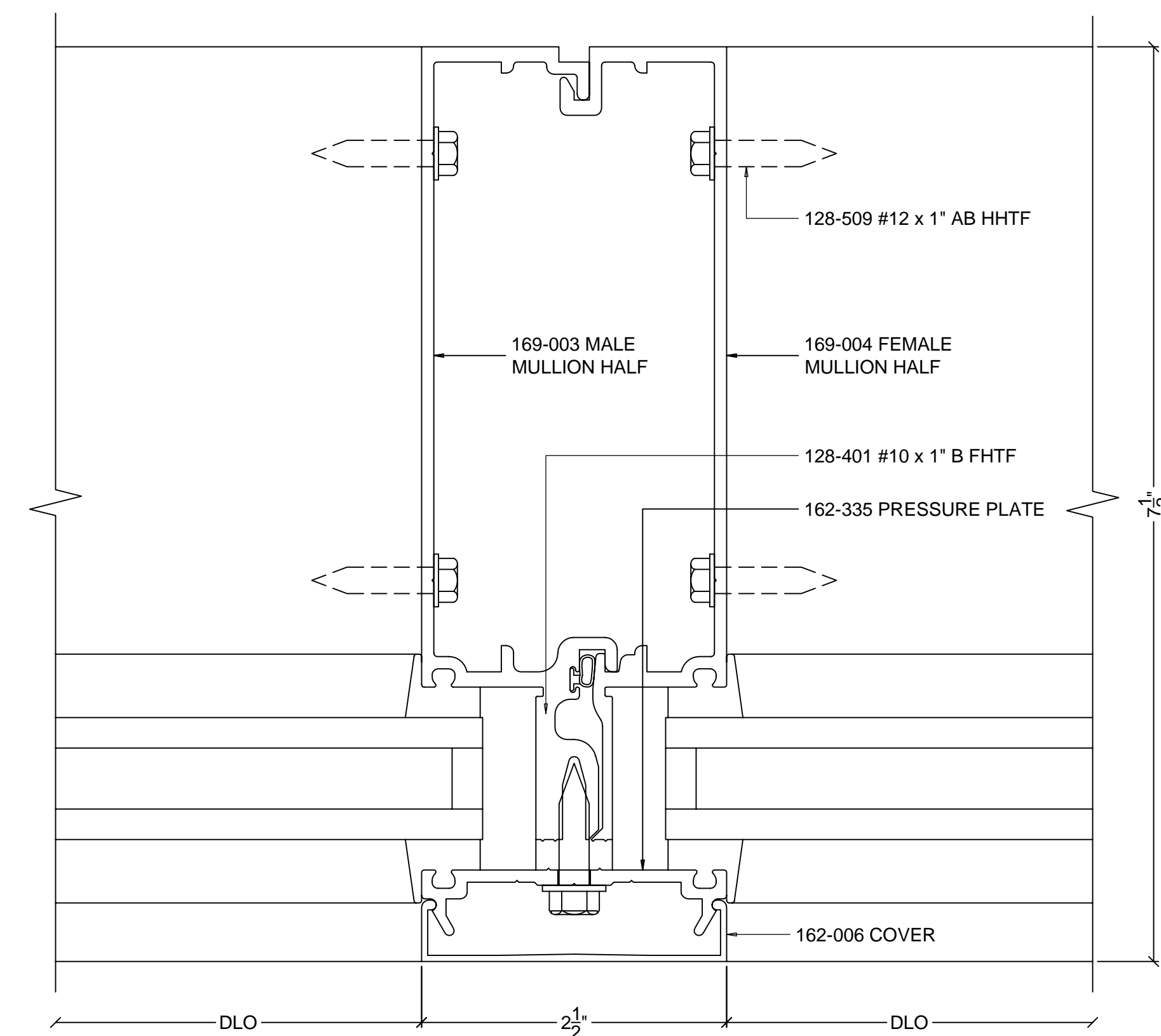
HEAD DETAIL
 KAWNEER SERIES 1600SS (2 1/2" X 7 1/2") CURTAINWALL SYSTEM
 ARCHITECTURAL REFERENCE 1/A14



HORIZONTAL MULLION DETAIL
 KAWNEER SERIES 1600SS (2 1/2" X 7 1/2") CURTAINWALL SYSTEM



SILL DETAIL
 KAWNEER SERIES 1600SS (2 1/2" X 7 1/2") CURTAINWALL SYSTEM
 ARCHITECTURAL REFERENCE 1/A14



VERTICAL MULLION DETAIL
 KAWNEER SERIES 1600SS (2 1/2" X 7 1/2") CURTAINWALL SYSTEM

GENERAL NOTES

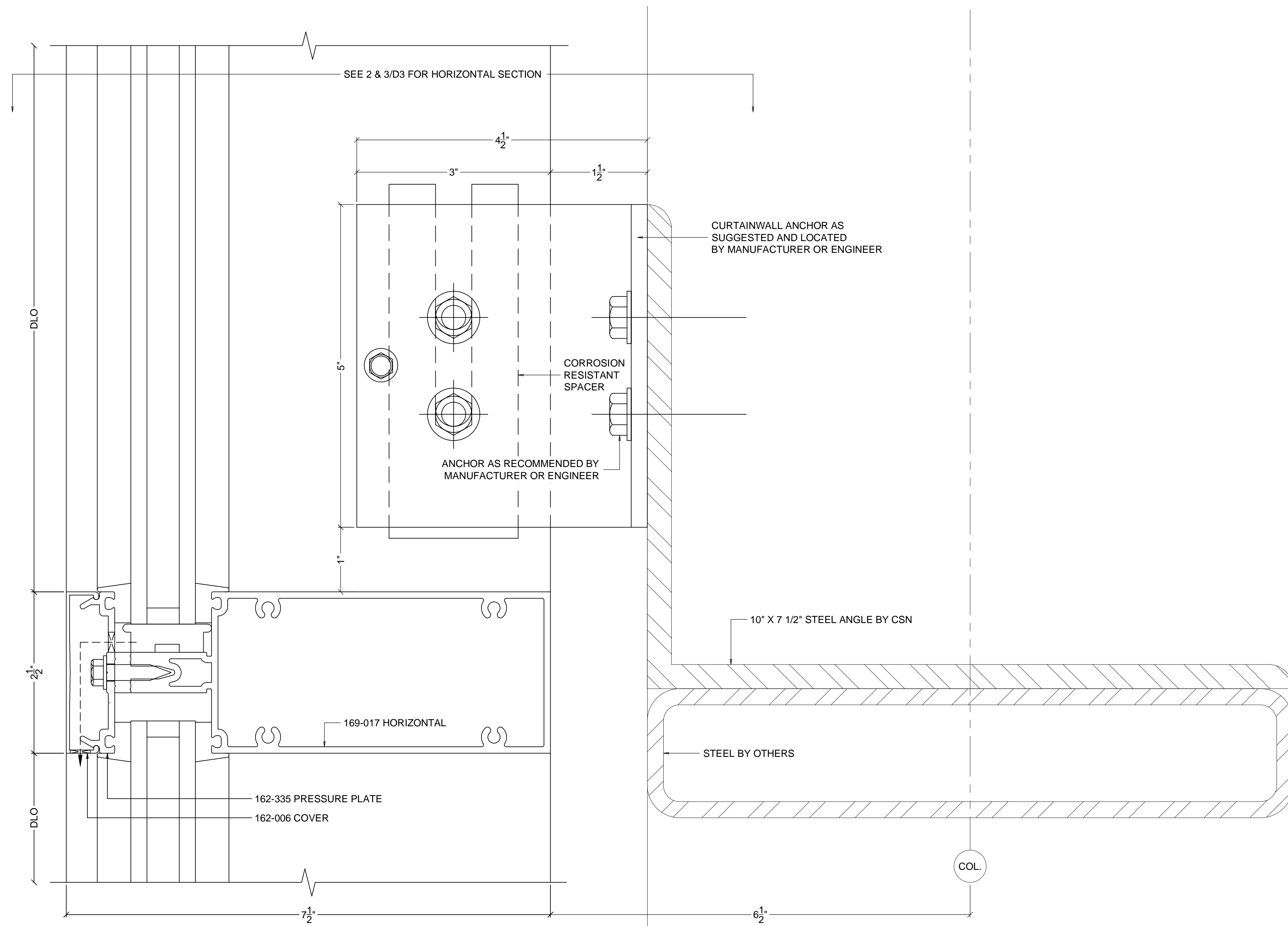
REVISIONS

GLASS COMPANY

ARCHITECT
 ADDRESS
 CITY, ST, ZIP
 CONTRACTOR
 ADDRESS
 CITY, ST, ZIP

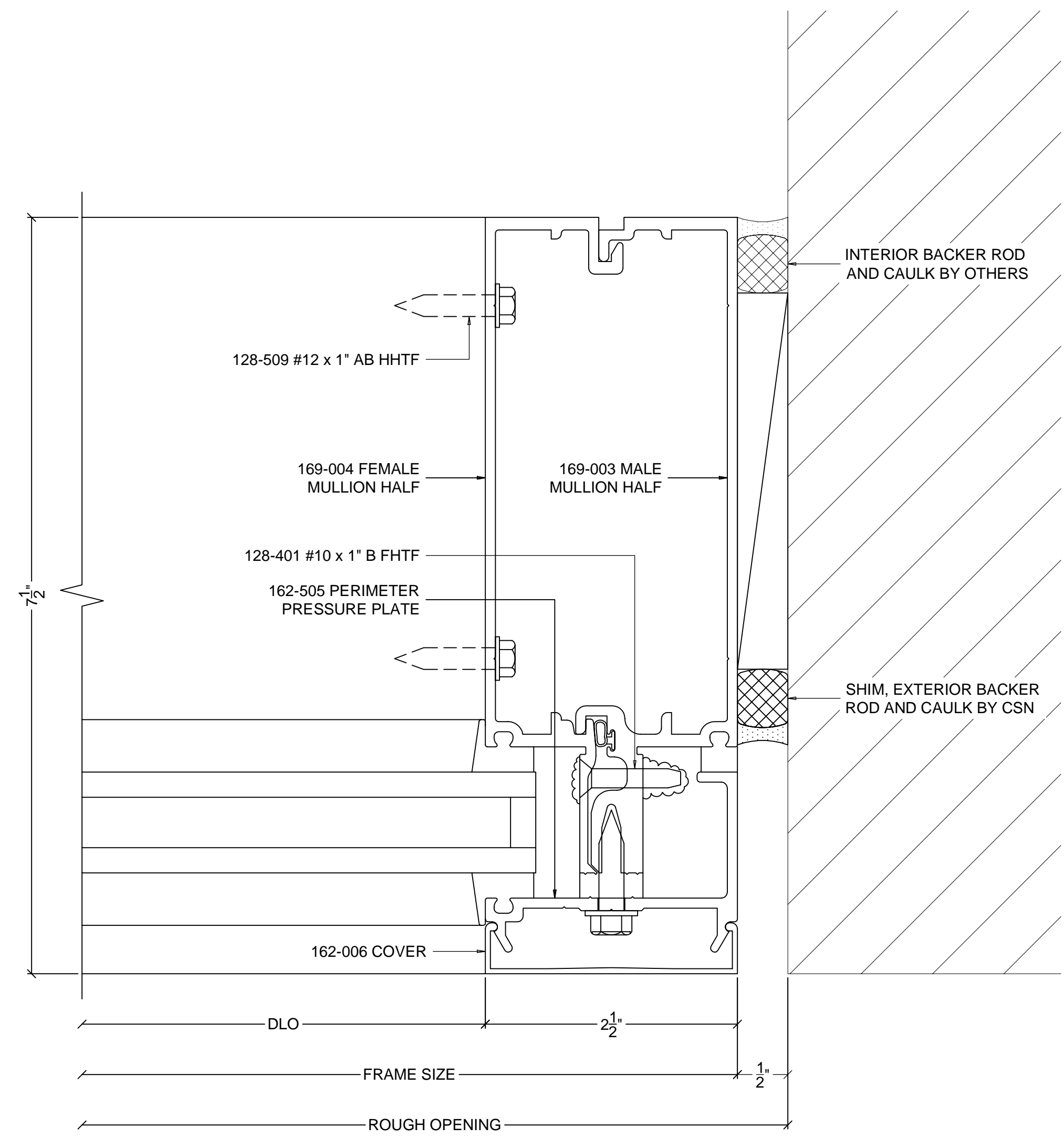
DETAILS
 JOB
 ADDRESS
 CITY, ST, ZIP
 AREA

SCALE:
 FULL SIZE
 DATE:
 12/30/10
 FILENAME:
 FILENAME
 SHEET



VERTICAL ANCHOR DETAIL
 KAWNEER SERIES 1600SS (2 1/2" X 7 1/2") CURTAINWALL SYSTEM
 ARCHITECTURAL REFERENCE 1/A14

1
D2



JAMB DETAIL
 KAWNEER SERIES 1600SS (2 1/2" X 7 1/2") CURTAINWALL SYSTEM
 ARCHITECTURAL REFERENCE 1/A2

2
D2

GENERAL NOTES

REVISIONS

GLASS COMPANY

ARCHITECT
 ADDRESS
 CITY, ST, ZIP

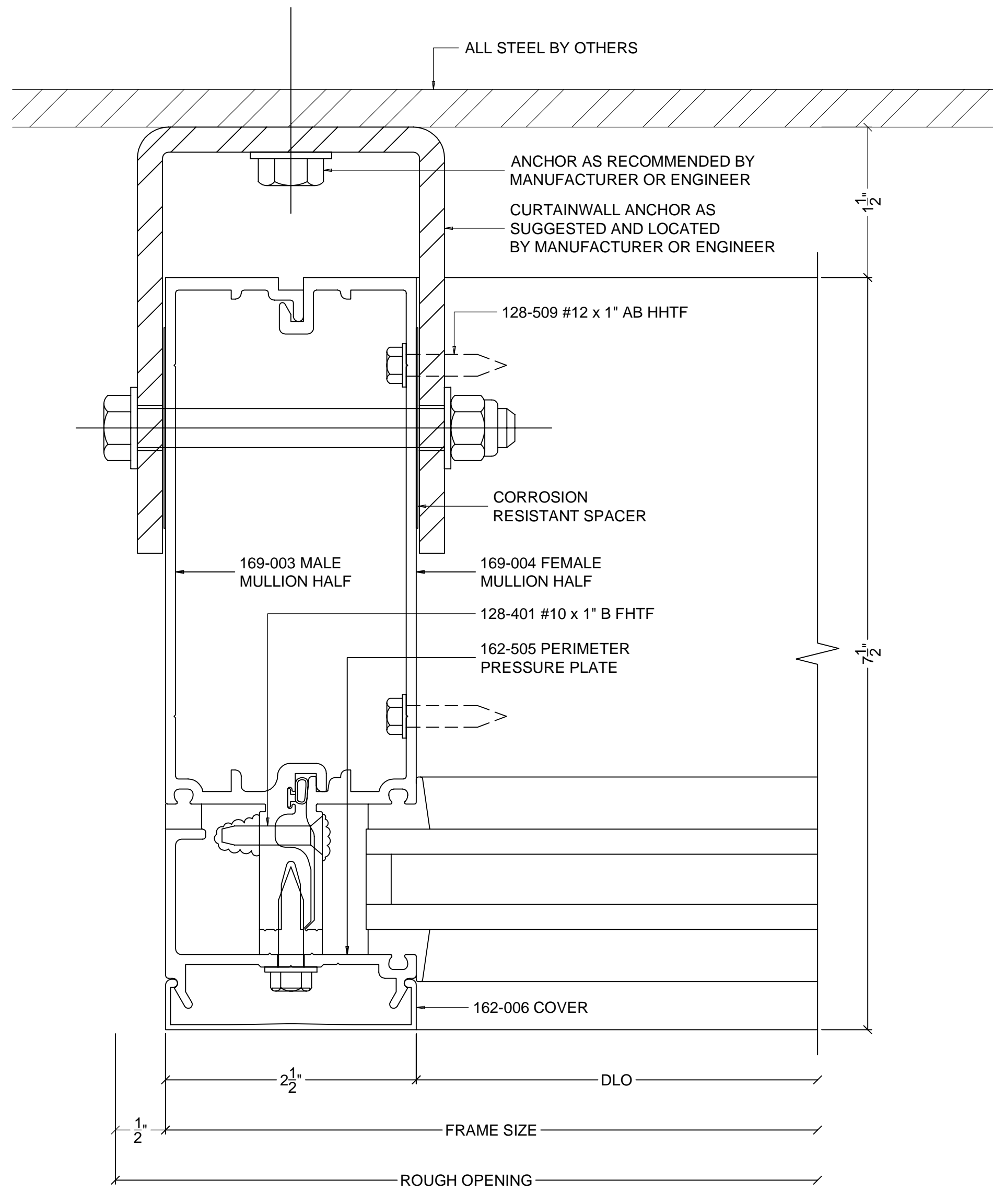
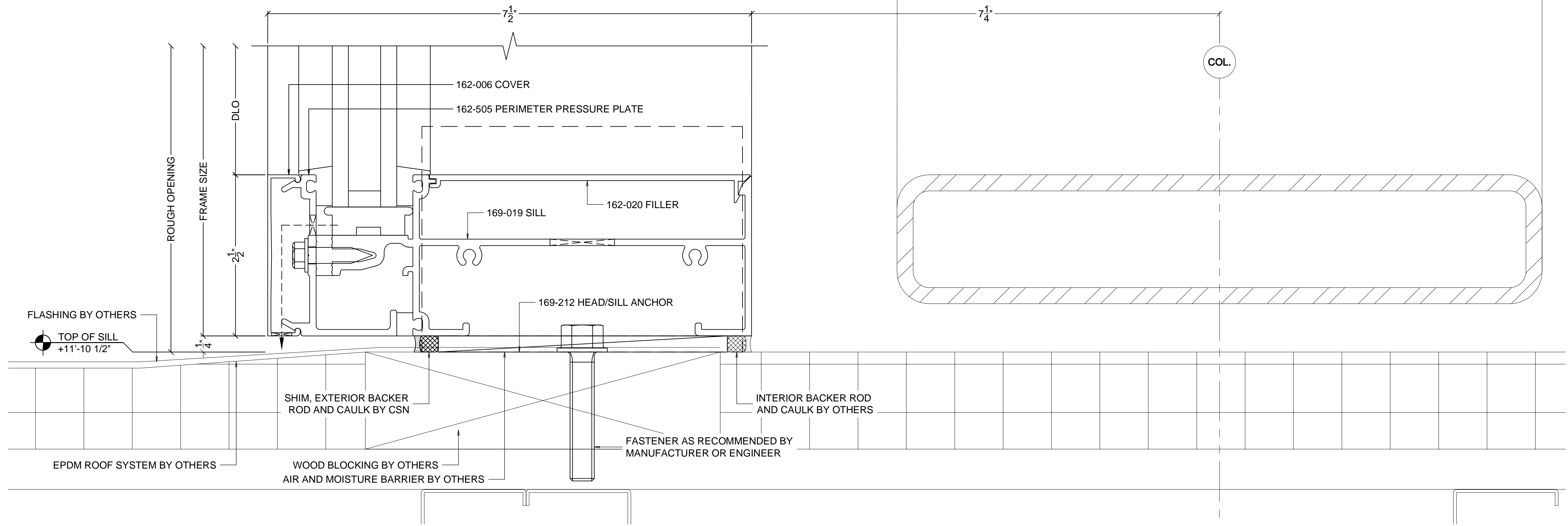
CONTRACTOR
 ADDRESS
 CITY, ST, ZIP

DETAILS
 JOB
 ADDRESS
 CITY, ST, ZIP
 AREA

SCALE:
 FULL SIZE
 DATE:
 12/30/10
 FILENAME:
 FILENAME
 SHEET

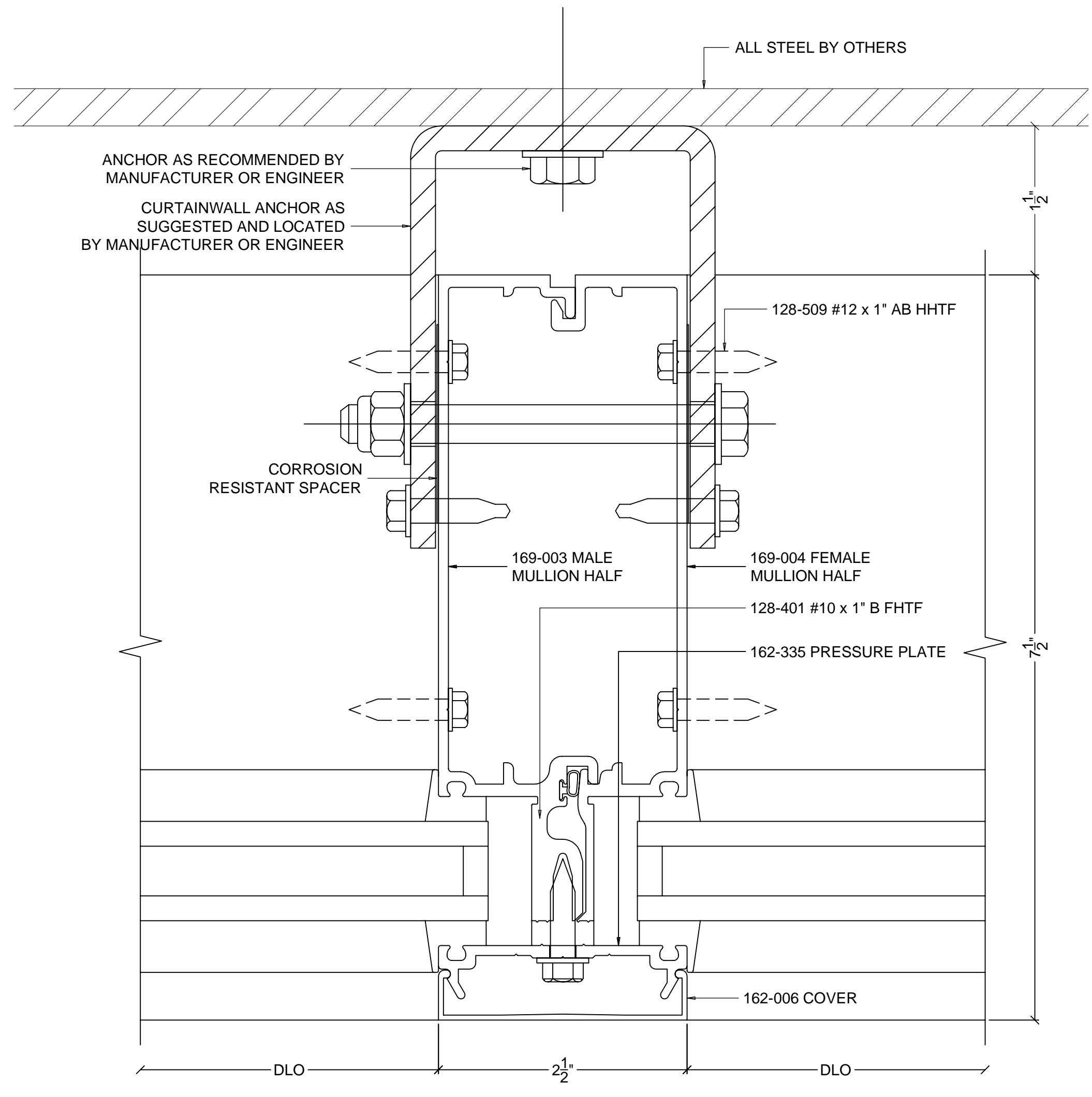
SILL DETAIL ABOVE CANOPY
 KAWNEER SERIES 1600SS (2 1/2" X 7 1/2") CURTAINWALL SYSTEM
 ARCHITECTURAL REFERENCE 2/A13

1
D3



HORIZONTAL ANCHOR DETAIL AT JAMB
 KAWNEER SERIES 1600SS (2 1/2" X 7 1/2") CURTAINWALL SYSTEM

2
D3



HORIZONTAL ANCHOR DETAIL AT VERTICAL
 KAWNEER SERIES 1600SS (2 1/2" X 7 1/2") CURTAINWALL SYSTEM

3
D3

GENERAL NOTES

REVISIONS

GLASS COMPANY

ARCHITECT
 ADDRESS
 CITY, ST, ZIP

CONTRACTOR
 ADDRESS
 CITY, ST, ZIP

DETAILS

JOB
 ADDRESS
 CITY, ST, ZIP
 AREA

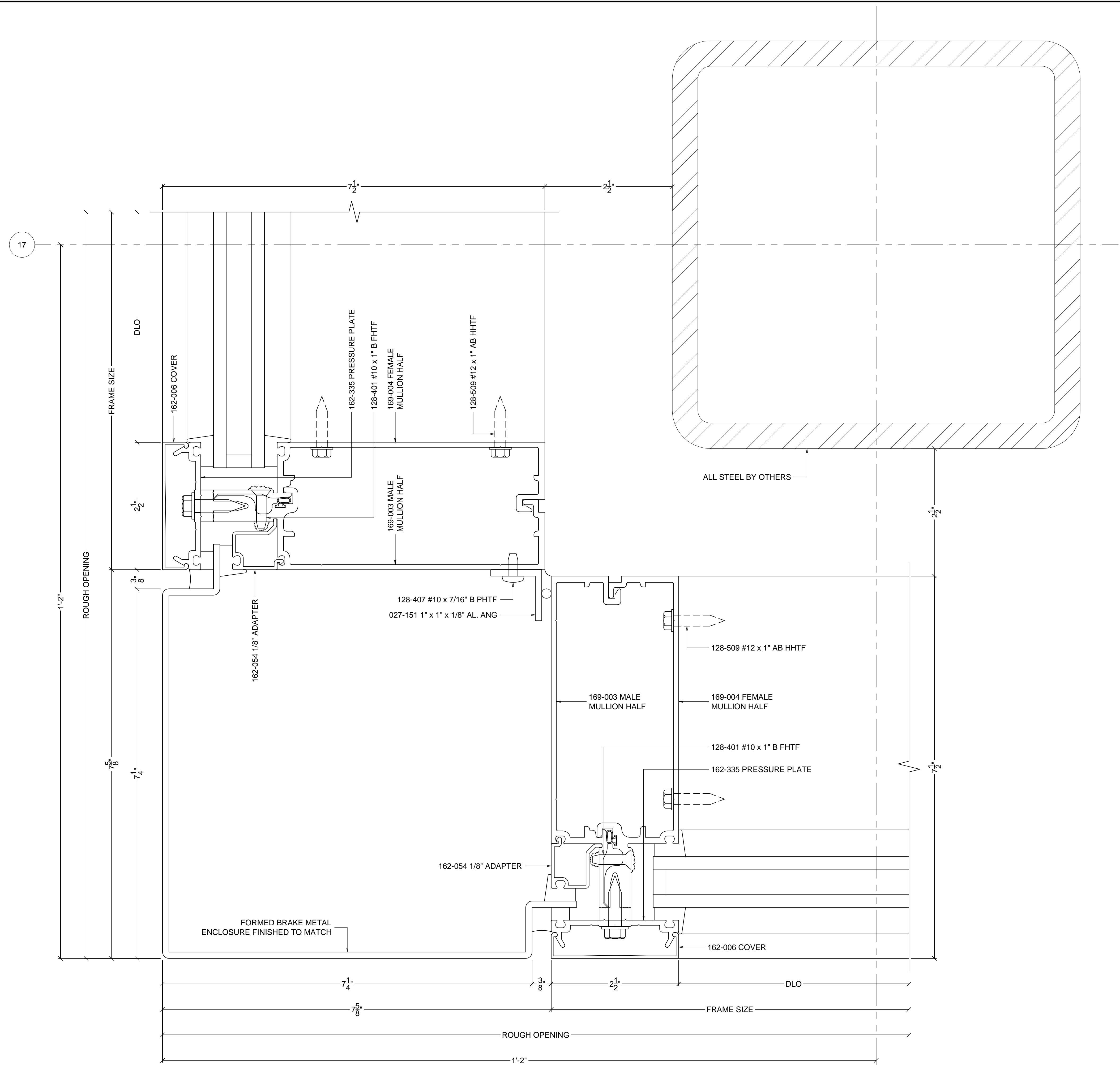
SCALE:
 FULL SIZE

DATE:
 12/30/10

FILENAME:
 FILENAME

SHEET

D3



90° CORNER DETAIL
 KAWNEER SERIES 1600SS (2 1/2" X 7 1/2") CURTAINWALL SYSTEM
 ARCHITECTURAL REFERENCE 1/A2

1
D4

A
K

GENERAL NOTES

REVISIONS

GLASS COMPANY

ARCHITECT
 ADDRESS
 CITY, ST, ZIP

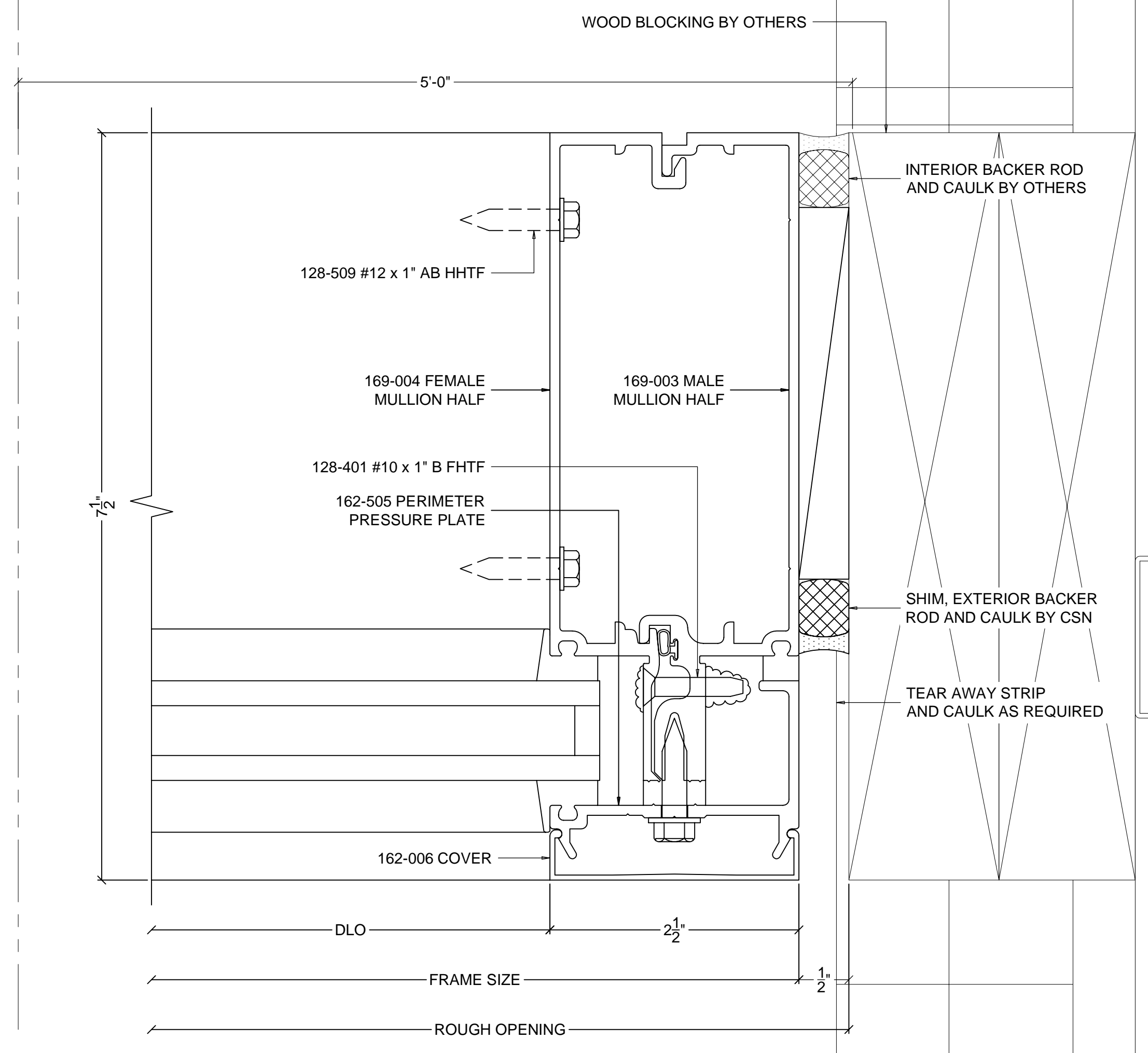
CONTRACTOR
 ADDRESS
 CITY, ST, ZIP

DETAILS
 JOB
 ADDRESS
 CITY, ST, ZIP
 AREA

SCALE:
 FULL SIZE
 DATE:
 12/30/10
 FILENAME:
 SHEET

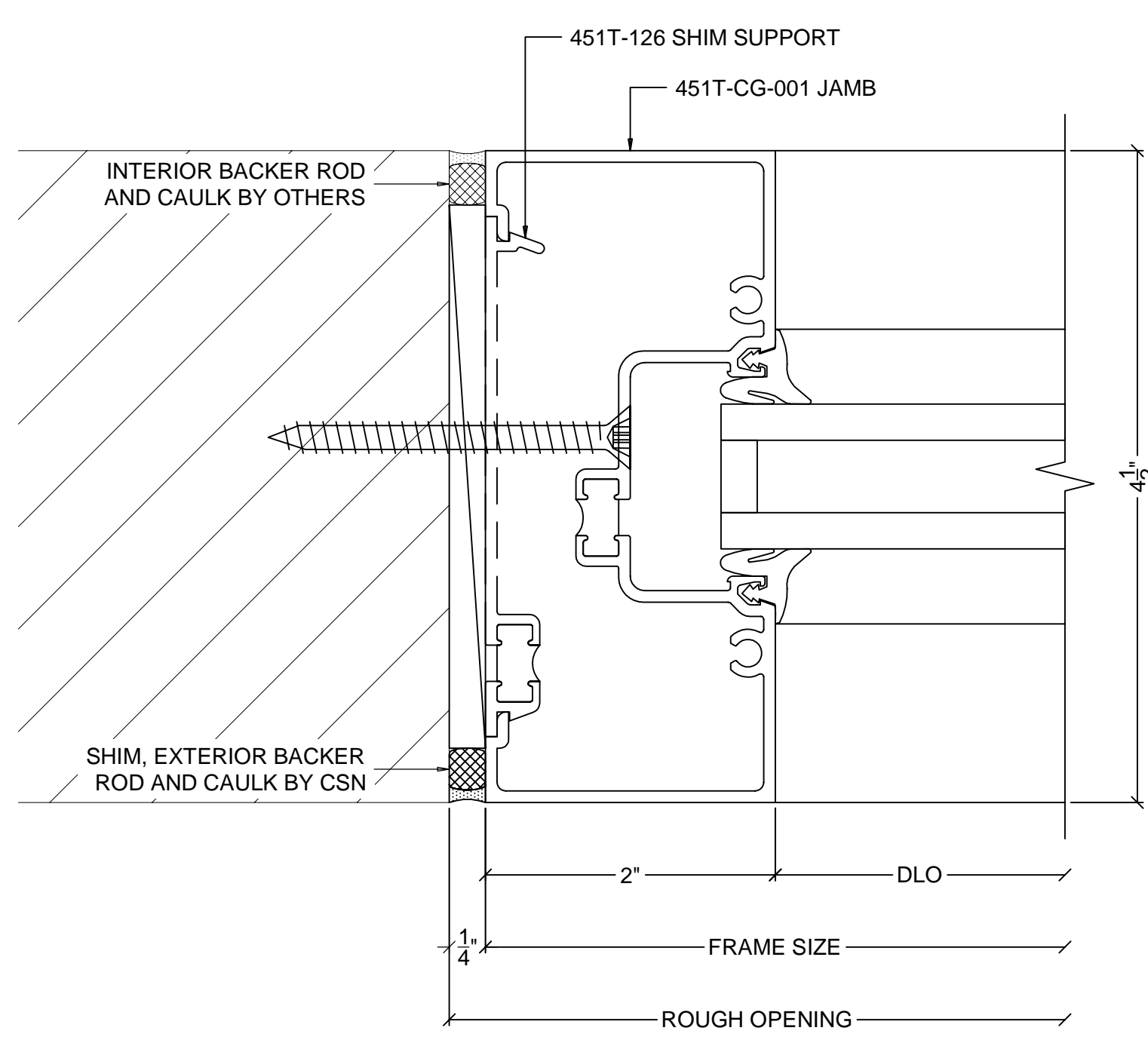
D4

G



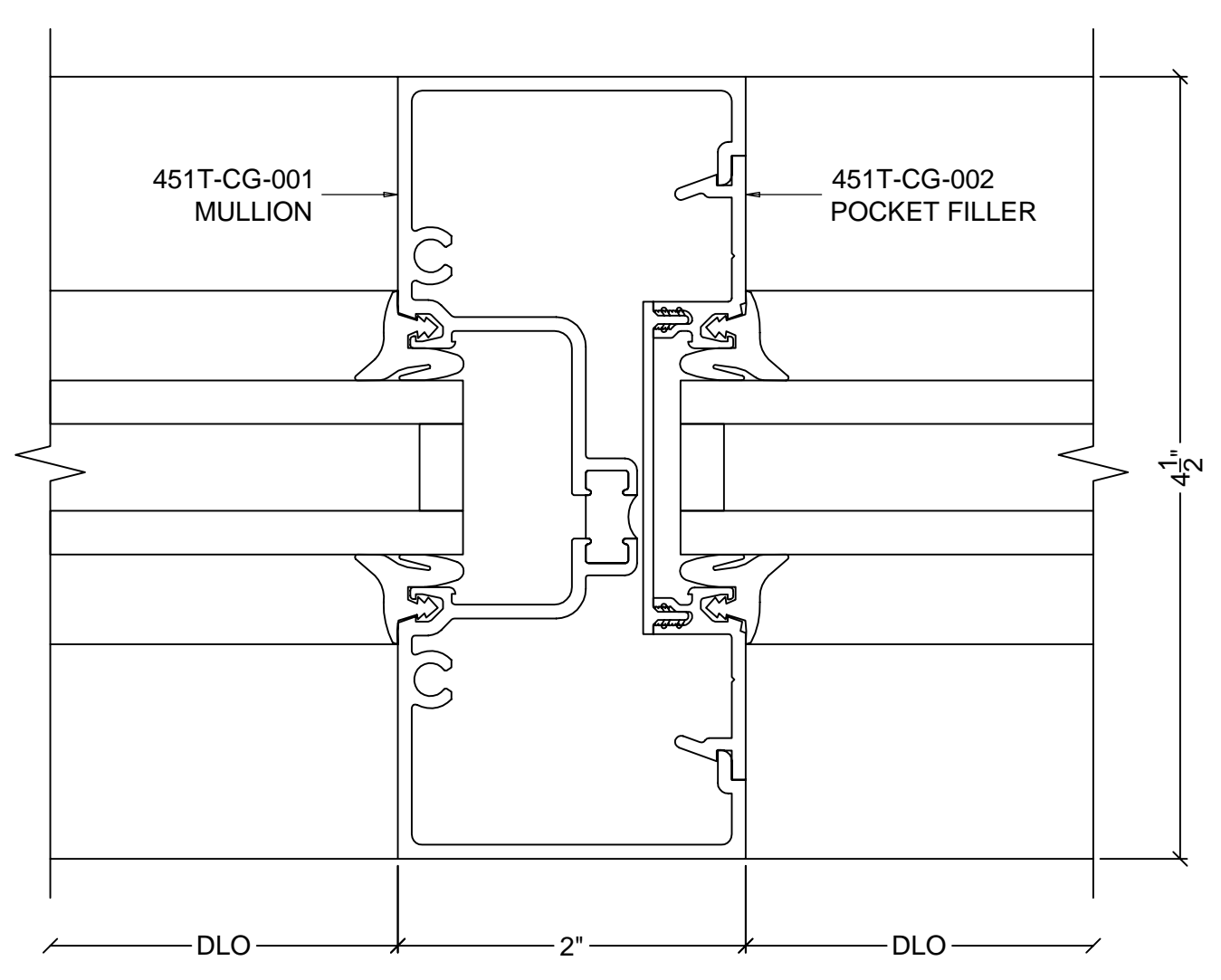
JAMB DETAIL
 KAWNEER SERIES 1600SS (2 1/2" X 7 1/2") CURTAINWALL SYSTEM
 ARCHITECTURAL REFERENCE 1/A13

1 D5



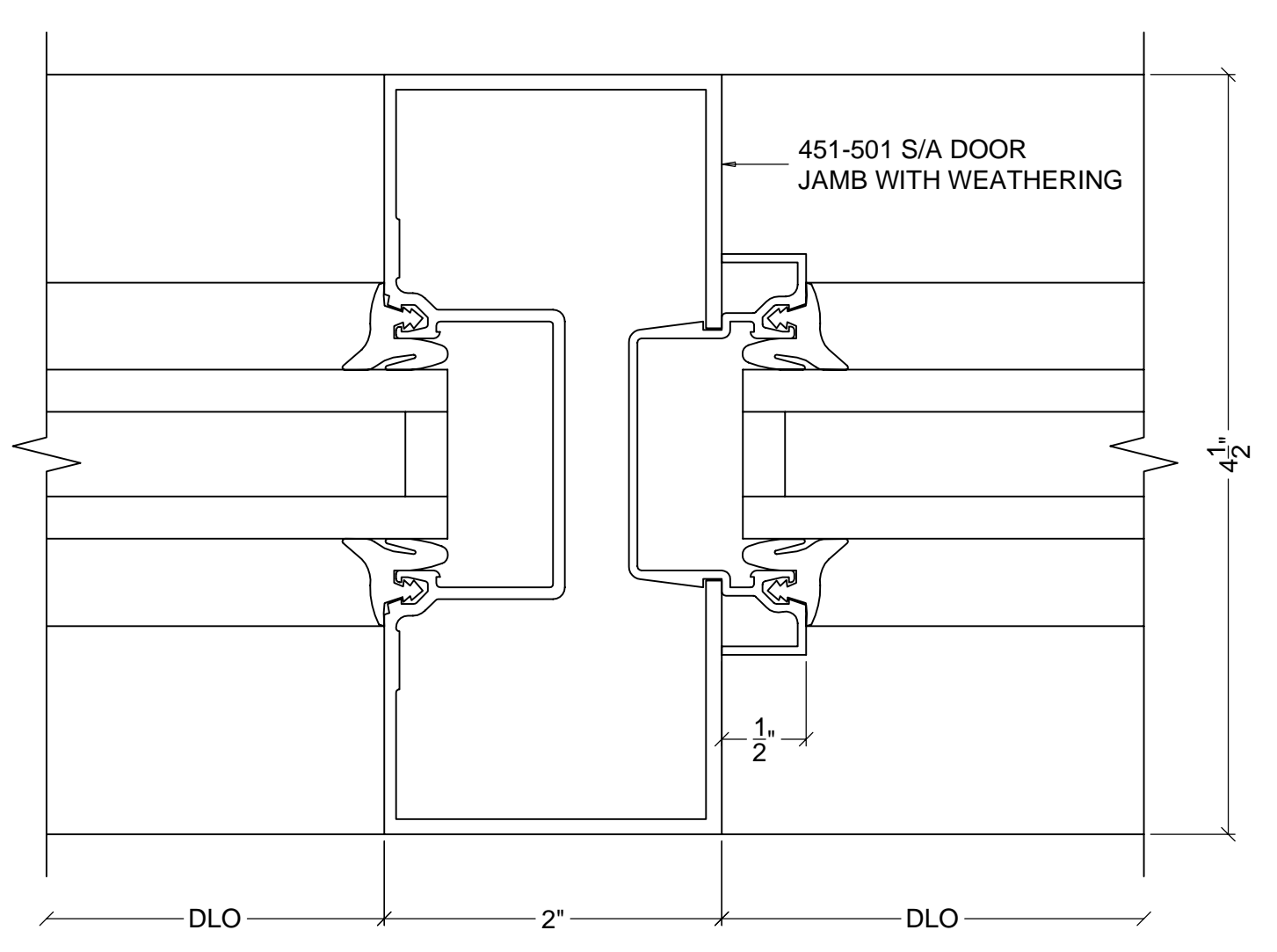
TYPICAL JAMB DETAIL
 KAWNEER SERIES 451T (2" X 4 1/2") STOREFRONT SYSTEM

2 D5



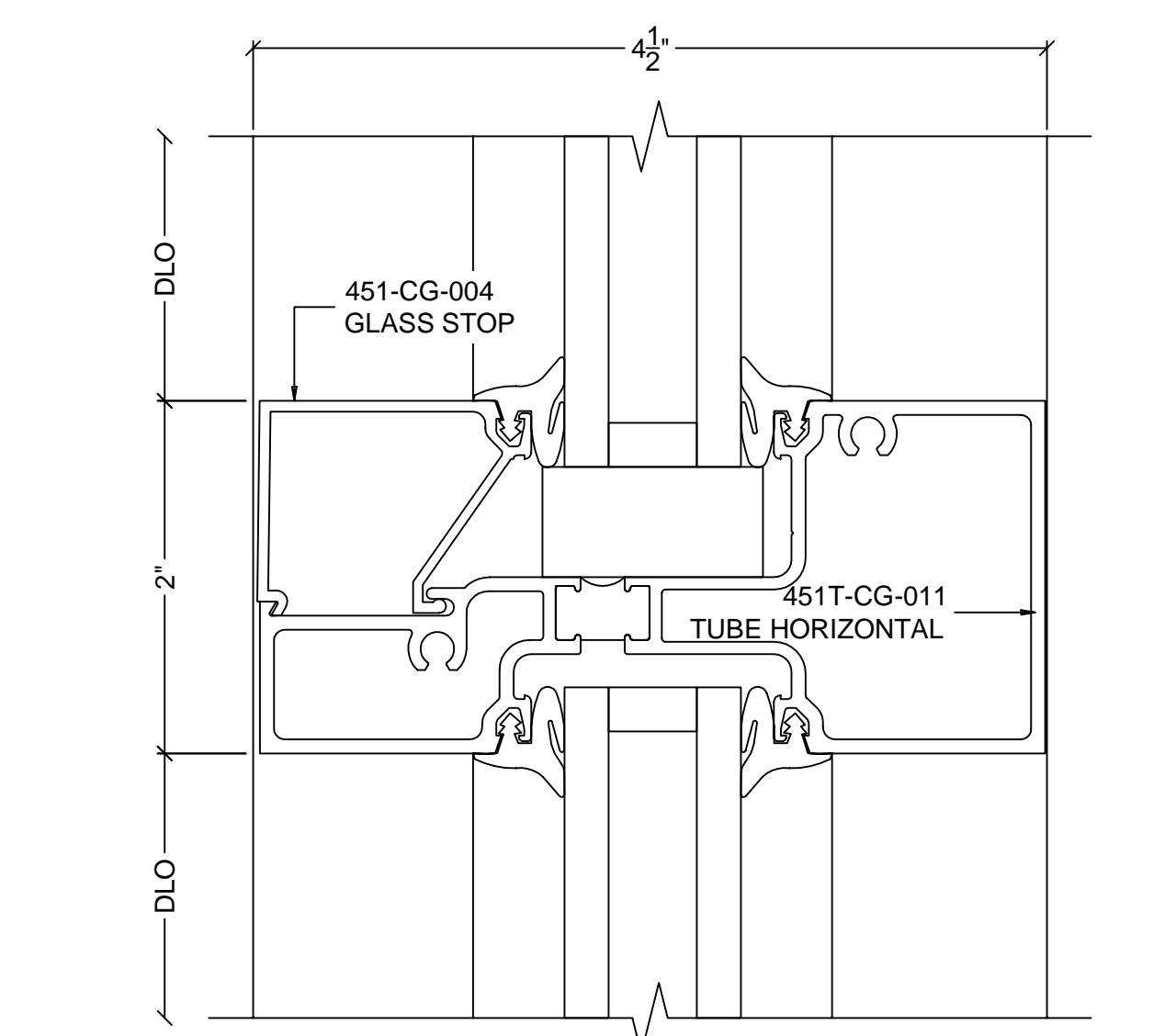
VERTICAL MULLION DETAIL
 KAWNEER SERIES 451T (2" X 4 1/2") STOREFRONT SYSTEM

3 D5



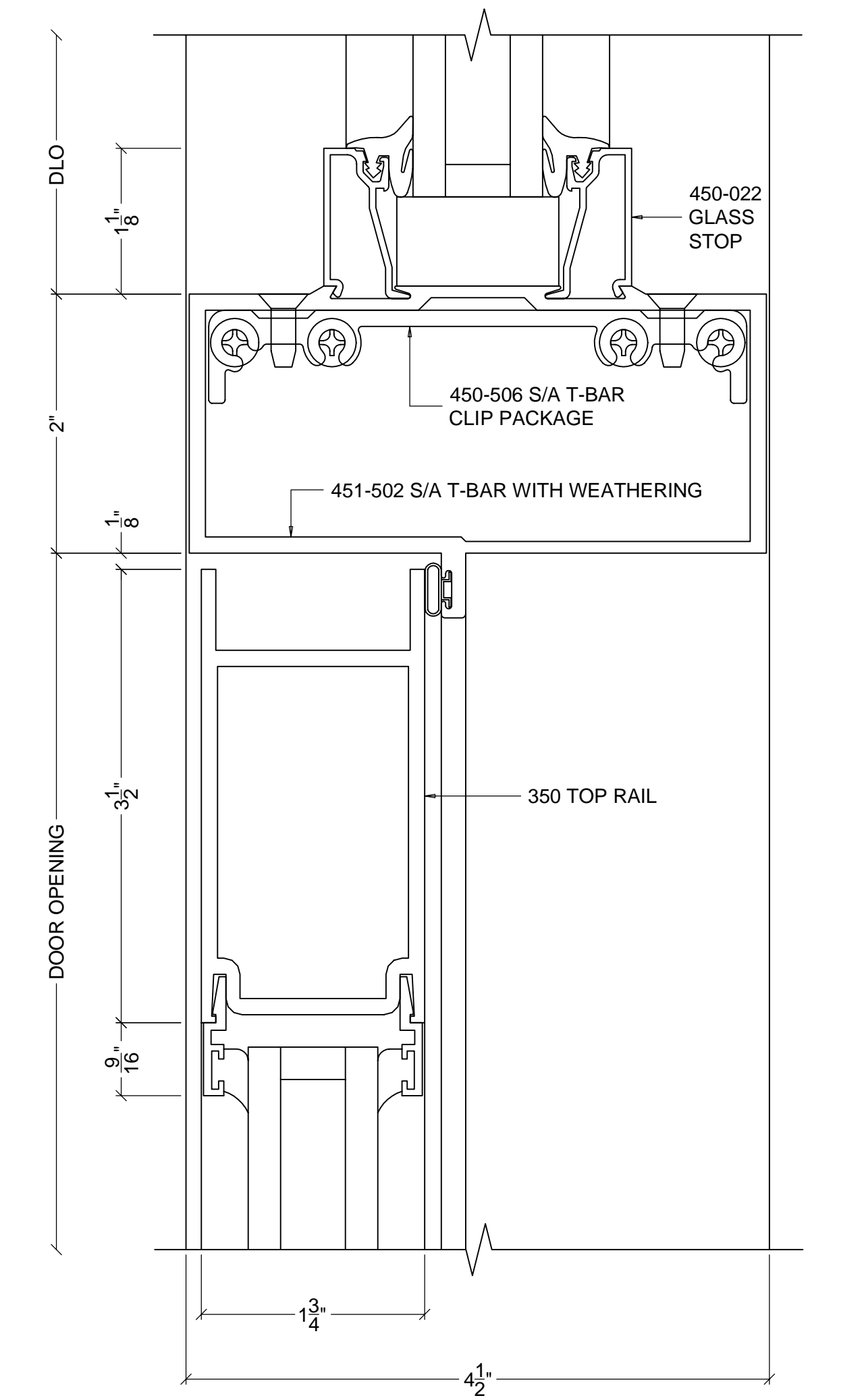
DOOR JAMB DETAIL AT SIDELITE TRANSOM
 KAWNEER SERIES 451 (2" X 4 1/2") STOREFRONT SYSTEM

4 D5



HORIZONTAL MULLION DETAIL
 KAWNEER SERIES 451T (2" X 4 1/2") STOREFRONT SYSTEM

5 D5



DOOR TOP RAIL / HEAD DETAIL AT TRANSOM
 KAWNEER SERIES 451 (2" X 4 1/2") STOREFRONT SYSTEM
 KAWNEER SERIES 350 MEDIUM STILE DOORS

6 D5

GENERAL NOTES

REVISIONS

GLASS COMPANY

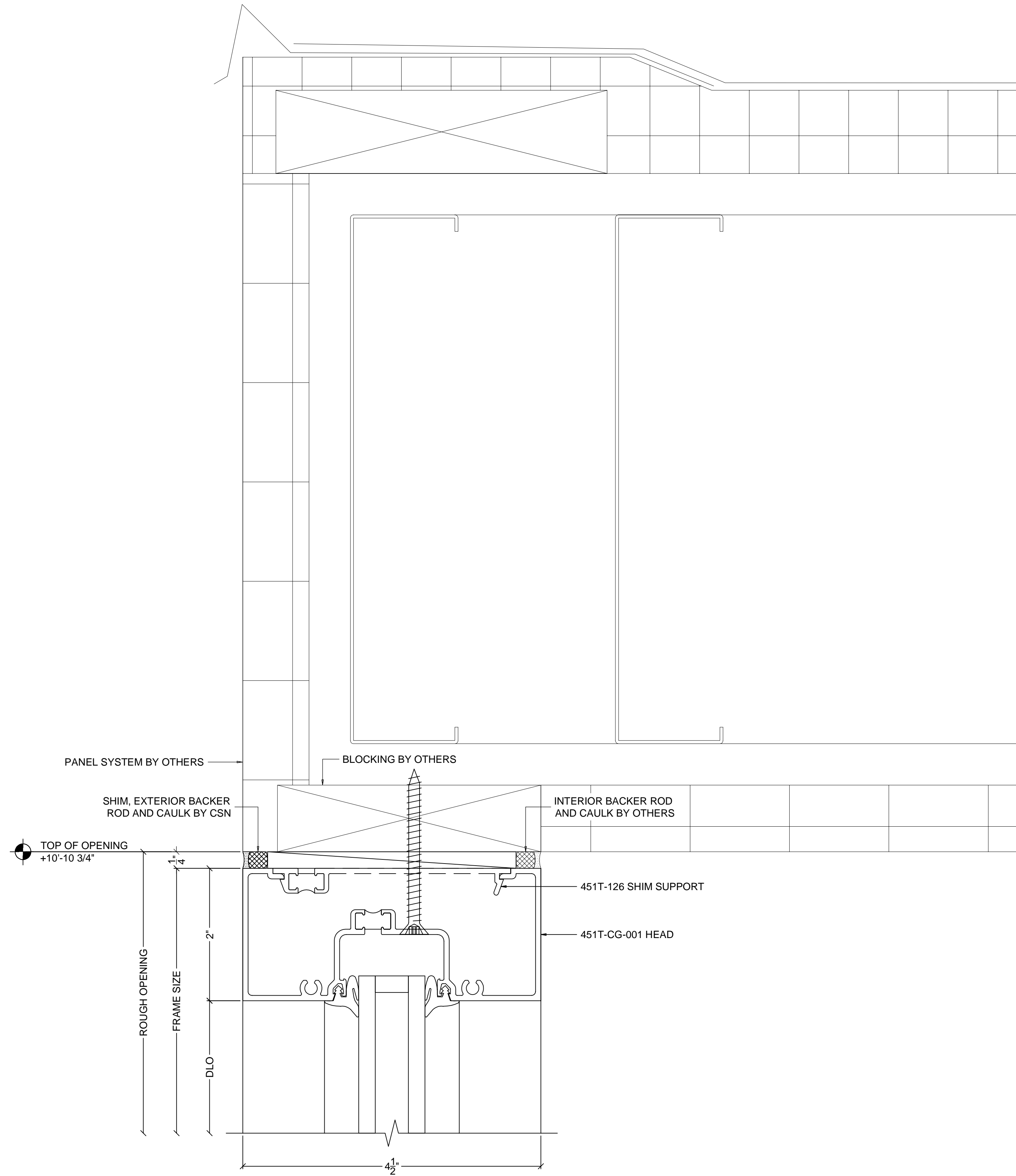
ARCHITECT
 ADDRESS
 CITY, ST, ZIP

CONTRACTOR
 ADDRESS
 CITY, ST, ZIP

DETAILS
 JOB
 ADDRESS
 CITY, ST, ZIP
 AREA

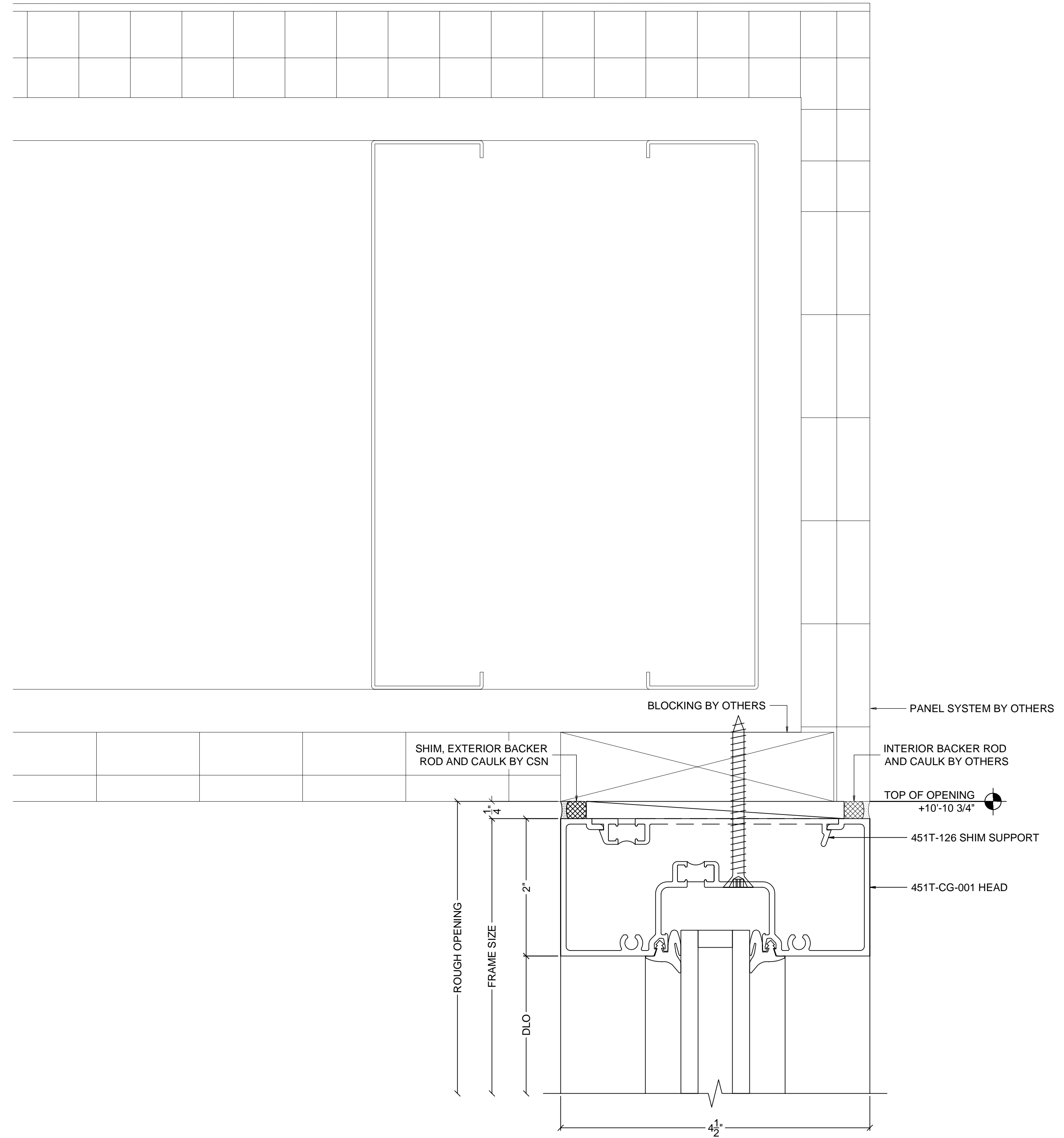
SCALE: FULL SIZE
 DATE: 12/30/10
 FILENAME:
 SHEET

D5



DOOR #101 HEAD DETAIL
 KAWNEER SERIES 451T (2" X 4 1/2") STOREFRONT SYSTEM
 ARCHITECTURAL REFERENCE 2/A13

1
D6



DOOR #102 HEAD DETAIL
 KAWNEER SERIES 451T (2" X 4 1/2") STOREFRONT SYSTEM
 ARCHITECTURAL REFERENCE 2/A13

2
D6

REVISIONS

GLASS COMPANY

ARCHITECT
ADDRESS
CITY, ST, ZIP
CONTRACTOR
ADDRESS
CITY, ST, ZIP

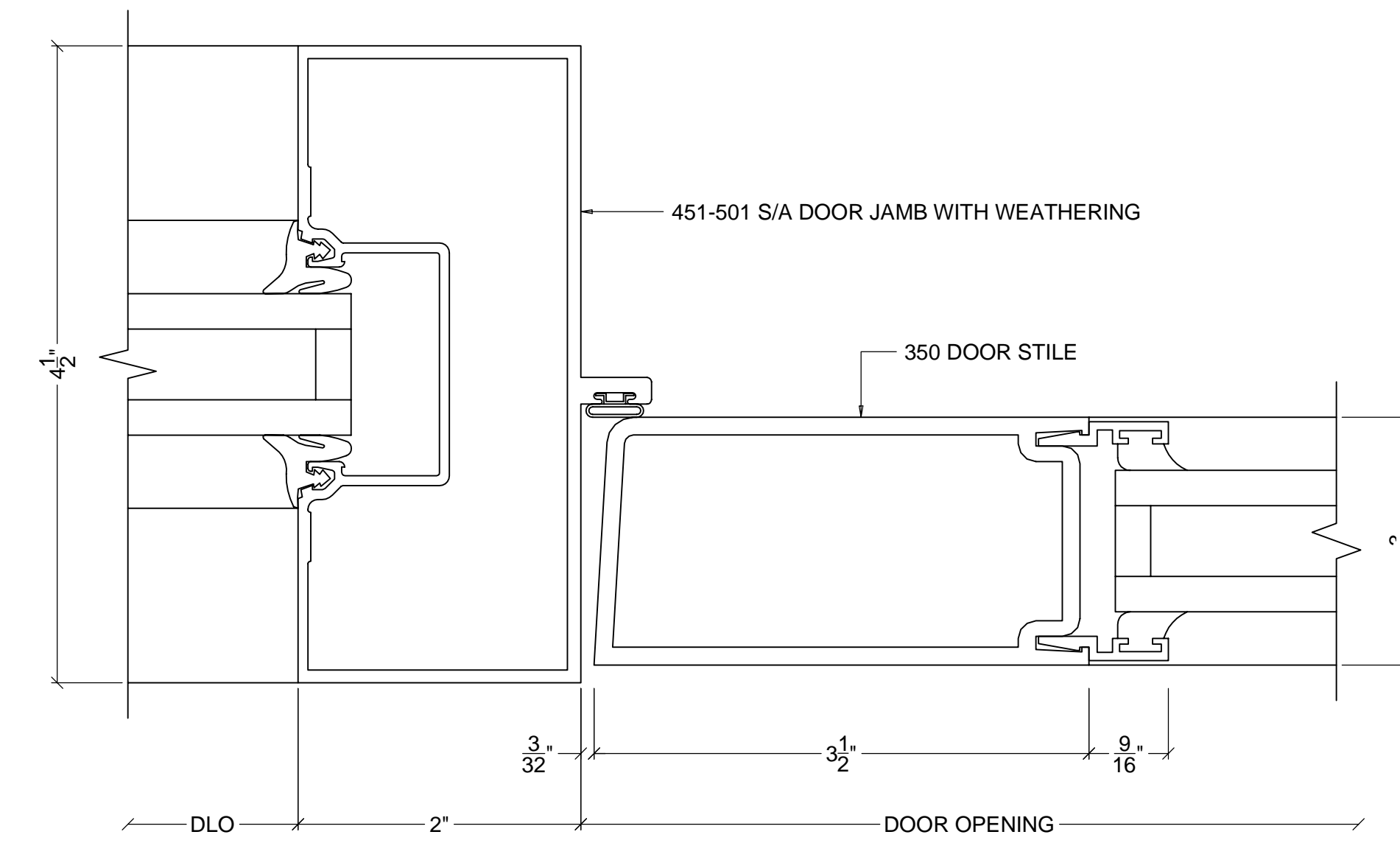
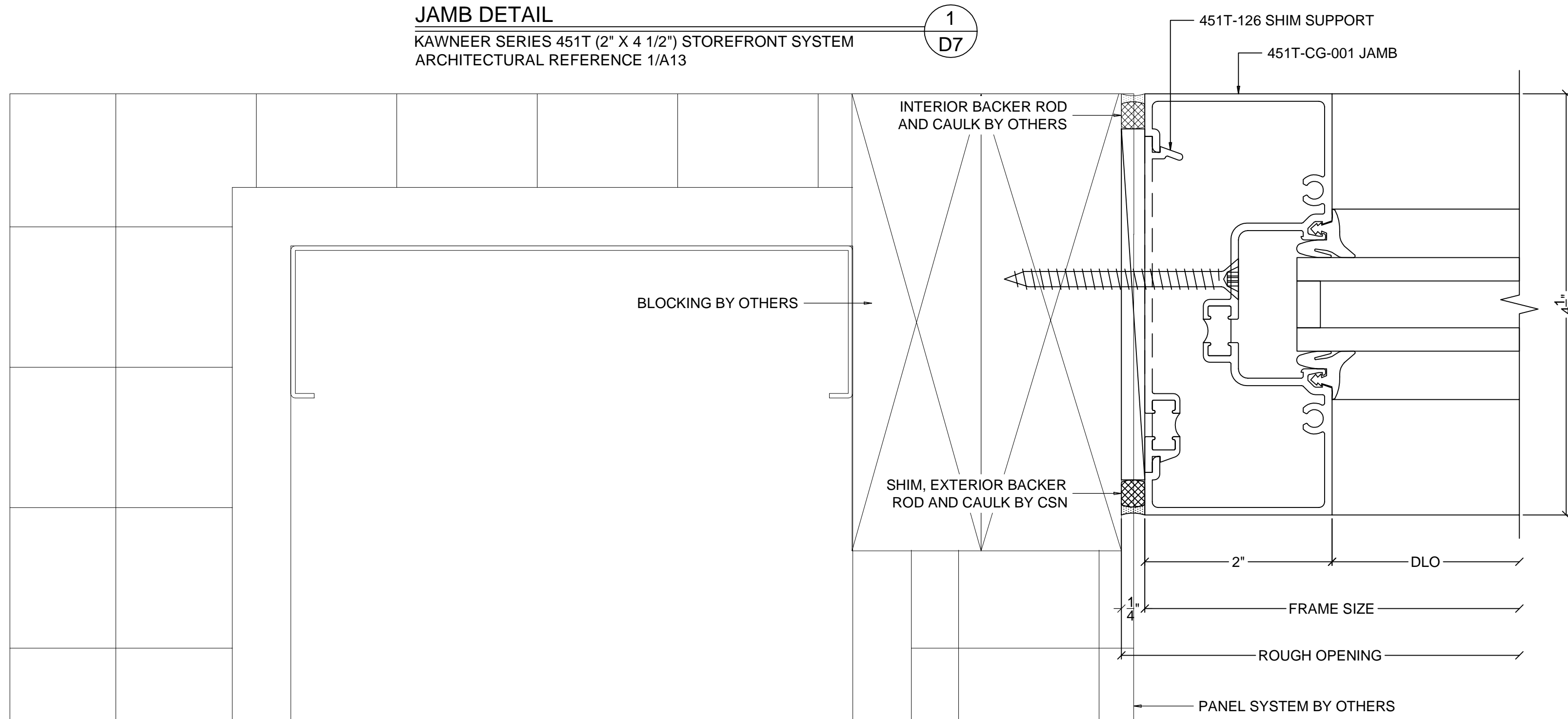
DETAILS

JOB
ADDRESS
CITY, ST, ZIP
AREA

SCALE:
FULL SIZE
DATE:
12/30/10
FILENAME:
FILENAME
SHEET

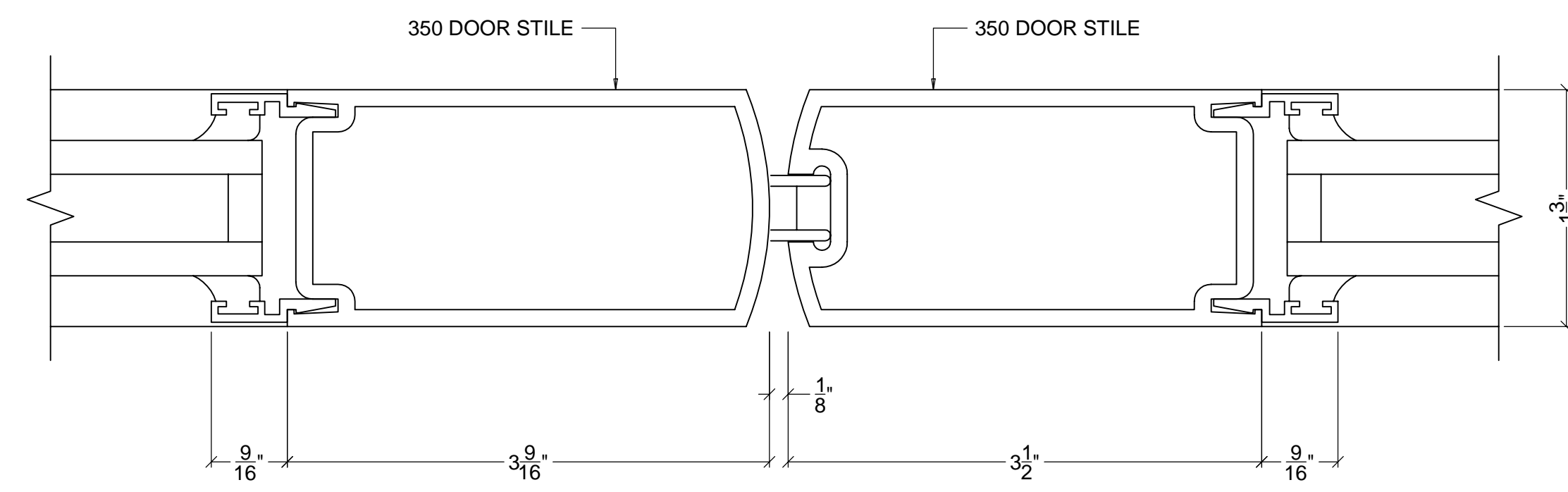
JAMB DETAIL
 KAWNEER SERIES 451T (2" X 4 1/2") STOREFRONT SYSTEM
 ARCHITECTURAL REFERENCE 1/A13

1
D7



DOOR JAMB DETAIL AT SIDELITE
 KAWNEER SERIES 451 (2" X 4 1/2") STOREFRONT SYSTEM
 KAWNEER SERIES 350 MEDIUM STILE DOORS

3
D7

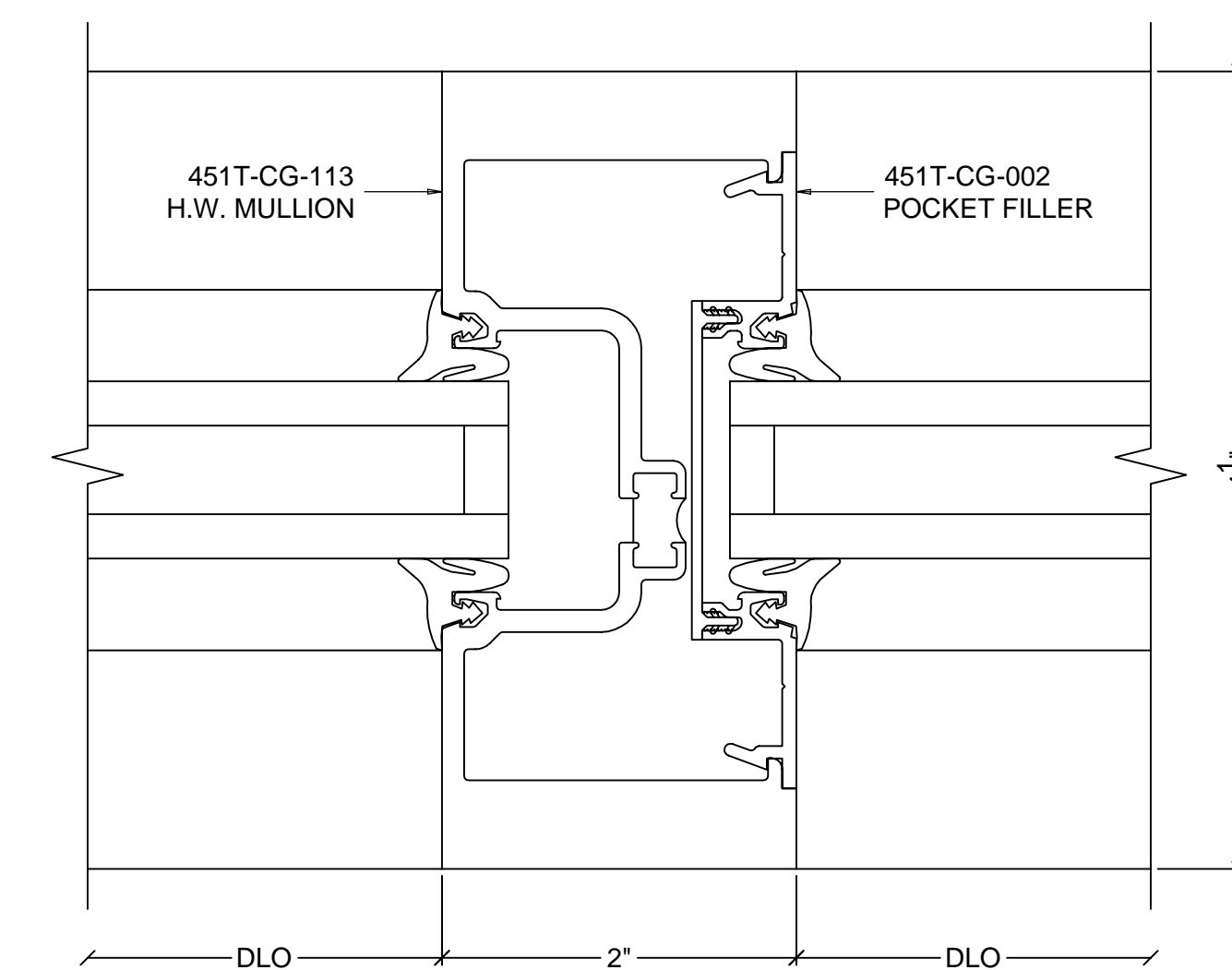
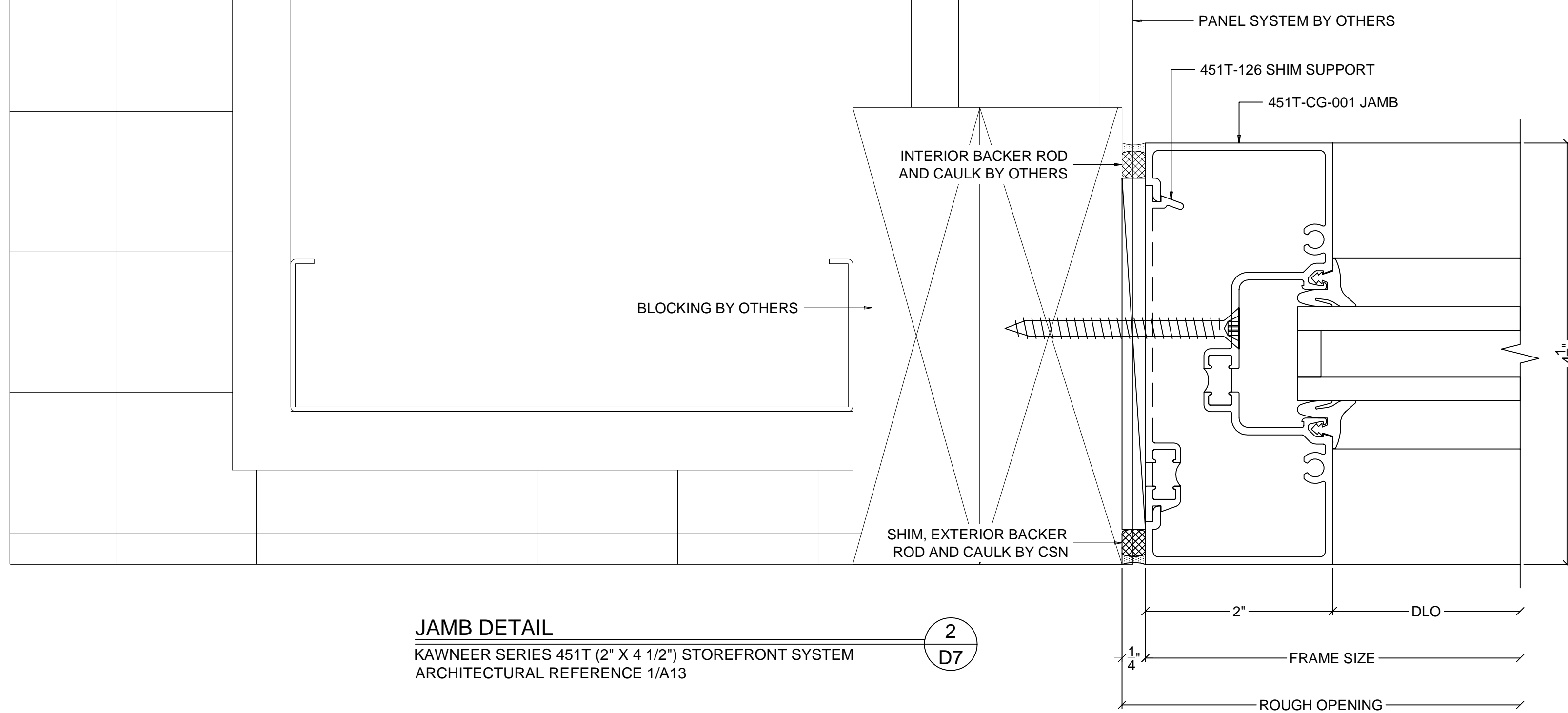


MEETING STILES DETAIL
 KAWNEER SERIES 350 MEDIUM STILE DOORS

4
D7

JAMB DETAIL
 KAWNEER SERIES 451T (2" X 4 1/2") STOREFRONT SYSTEM
 ARCHITECTURAL REFERENCE 1/A13

2
D7



HEAVY WEIGHT VERTICAL MULLION DETAIL
 KAWNEER SERIES 451T (2" X 4 1/2") STOREFRONT SYSTEM

5
D7

GENERAL NOTES

REVISIONS

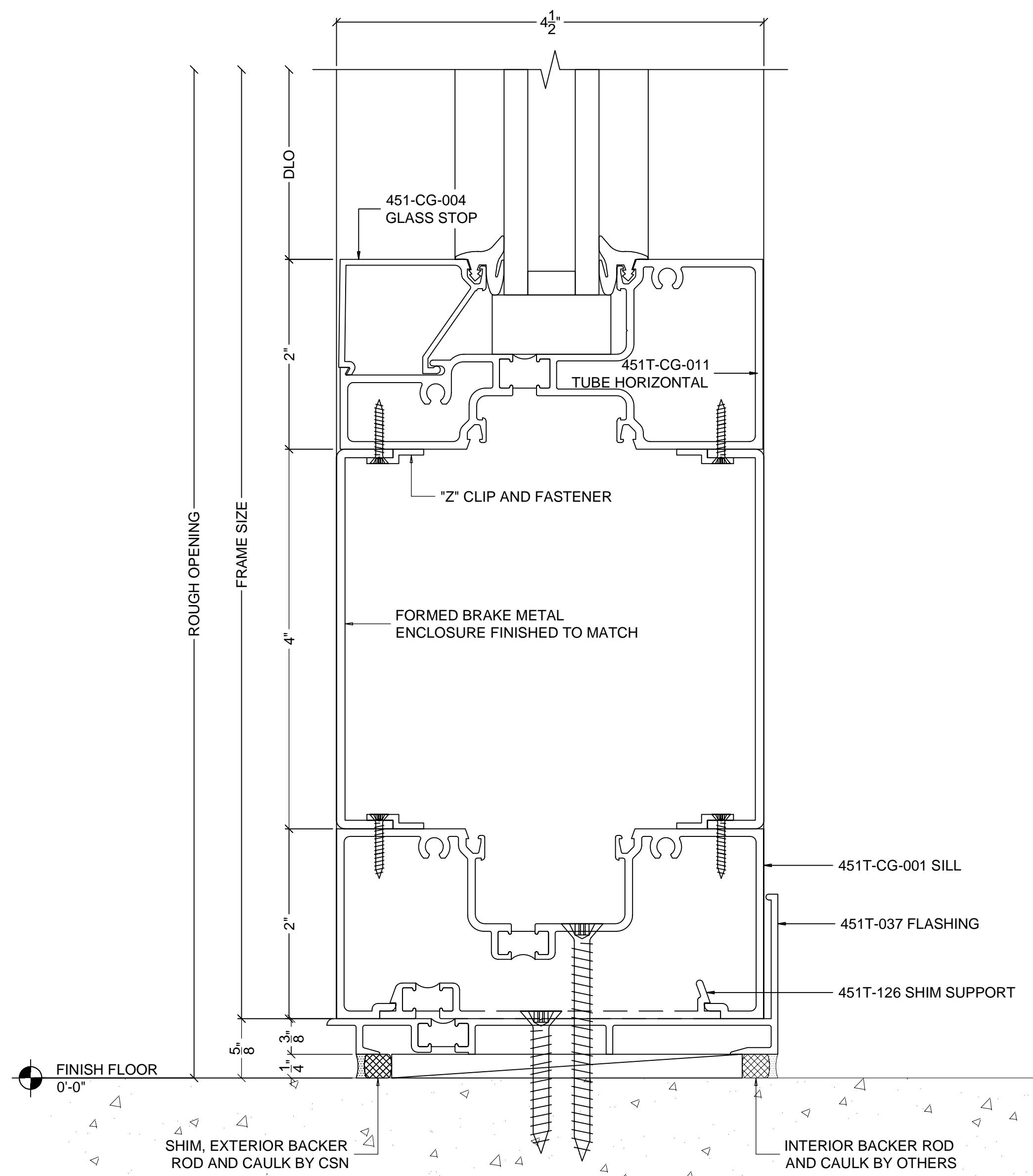
GLASS COMPANY

ARCHITECT
 ADDRESS
 CITY, ST, ZIP

CONTRACTOR
 ADDRESS
 CITY, ST, ZIP

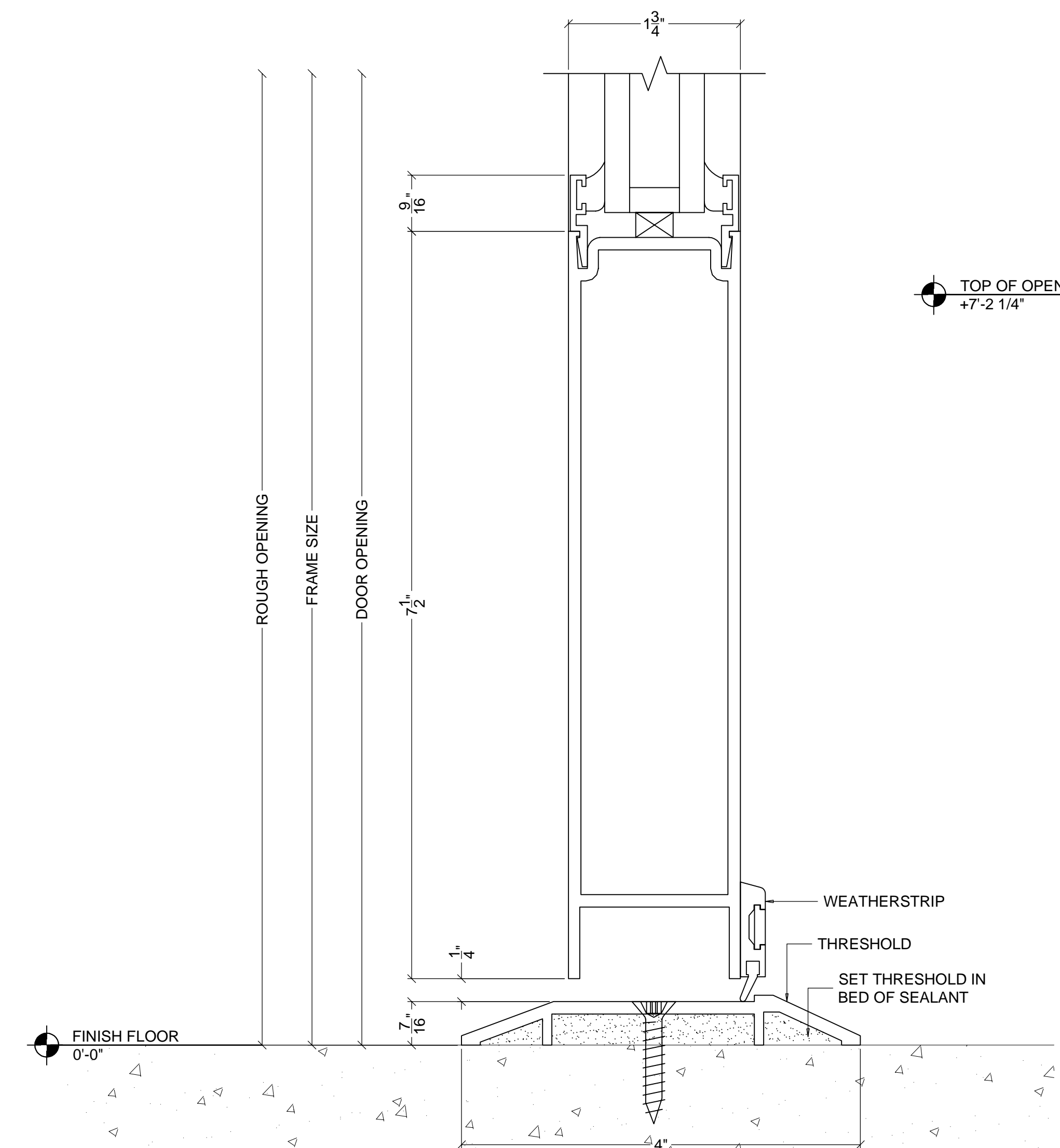
DETAILS
 JOB
 ADDRESS
 CITY, ST, ZIP
 AREA

SCALE:
 FULL SIZE
 DATE:
 12/30/10
 FILENAME:
 SHEET



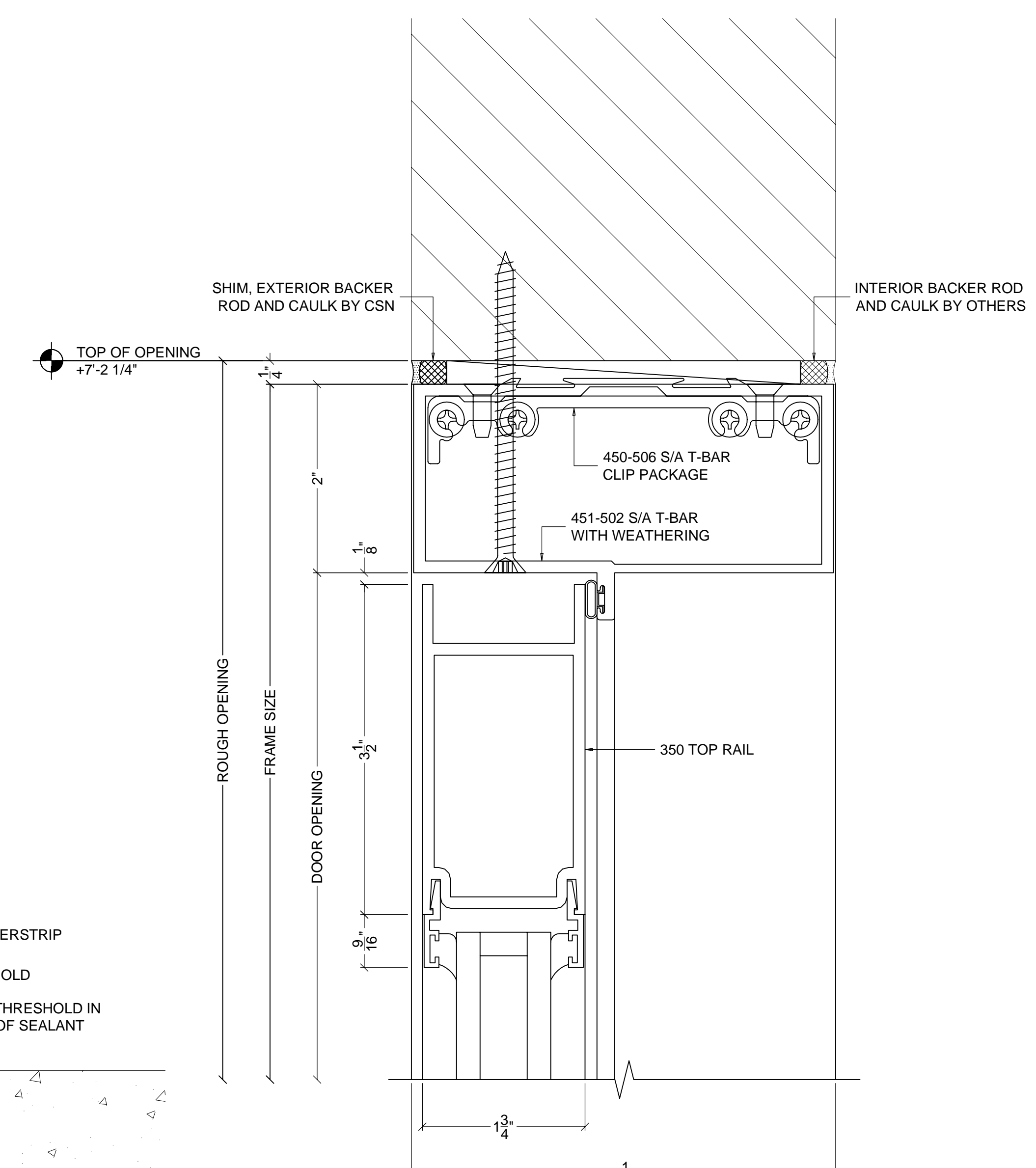
SILL DETAIL
KAWNEER SERIES 451T (2" X 4 1/2") STOREFRONT SYSTEM

1
D8



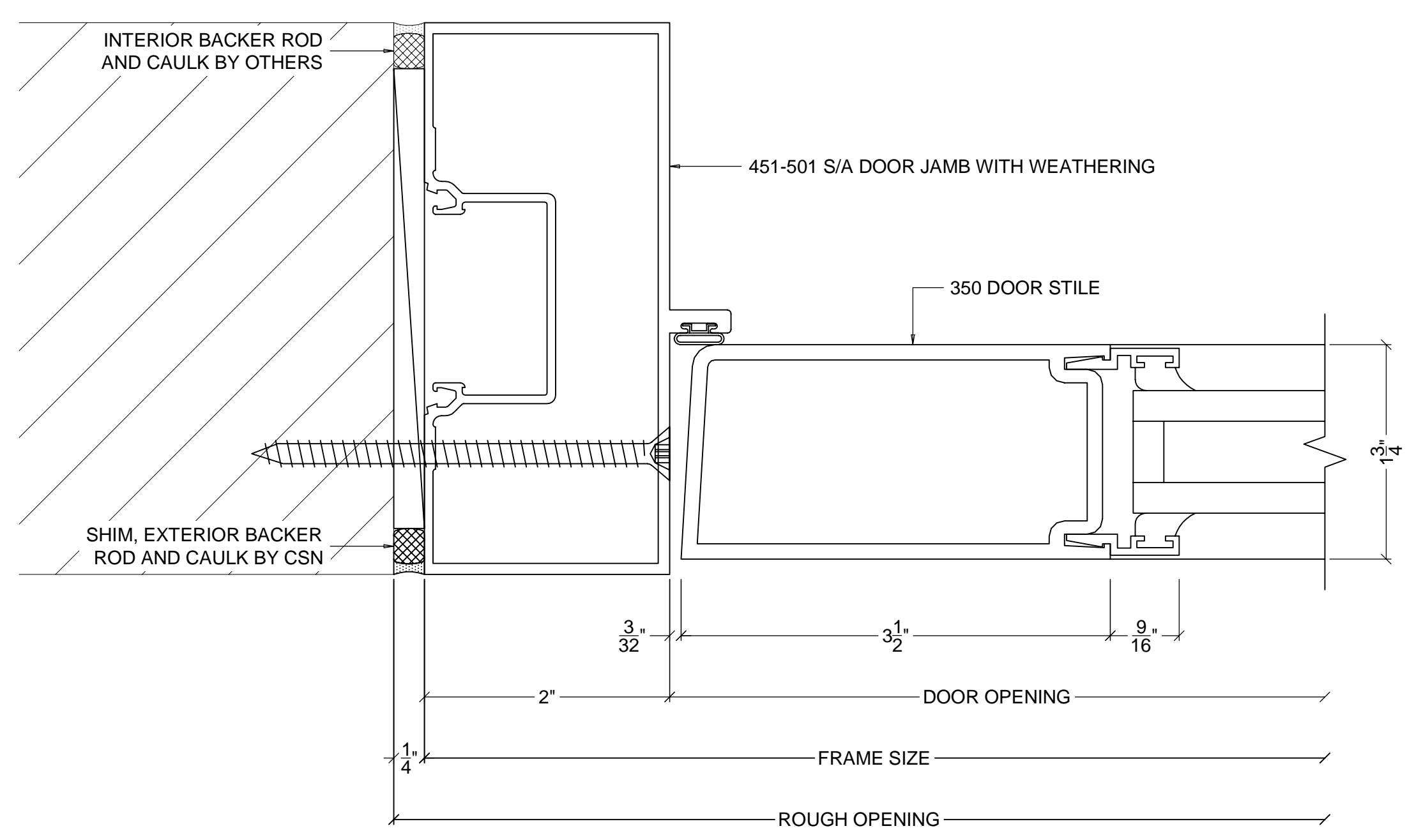
DOOR BOTTOM RAIL / THRESHOLD DETAIL
KAWNEER SERIES 350 MEDIUM STILE DOORS

2
D8



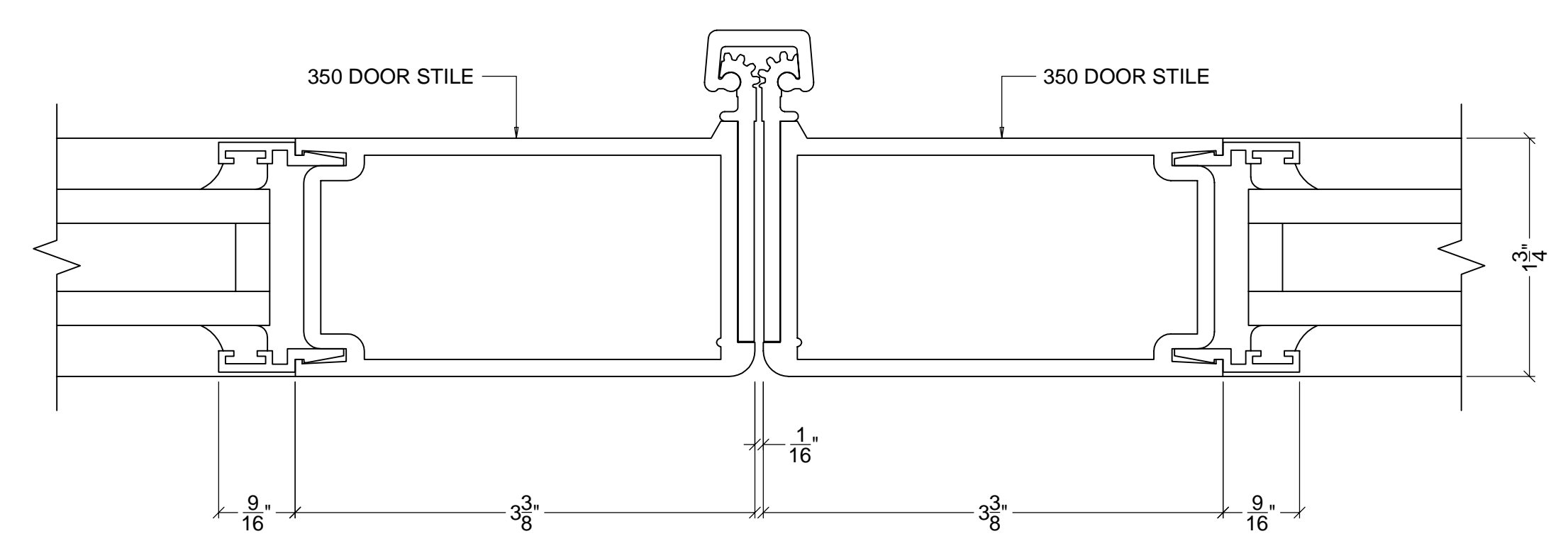
DOOR TOP RAIL / HEAD DETAIL AT CONDITION
KAWNEER SERIES 451 (2" X 4 1/2") STOREFRONT SYSTEM
KAWNEER SERIES 350 MEDIUM STILE DOORS

3
D8



DOOR JAMB DETAIL AT CONDITION
KAWNEER SERIES 451 (2" X 4 1/2") STOREFRONT SYSTEM
KAWNEER SERIES 350 MEDIUM STILE DOORS

4
D8



MEETING STILES DETAIL AT FOLDING DOOR
KAWNEER SERIES 350 MEDIUM STILE DOOR

5
D8

GENERAL NOTES

REVISIONS

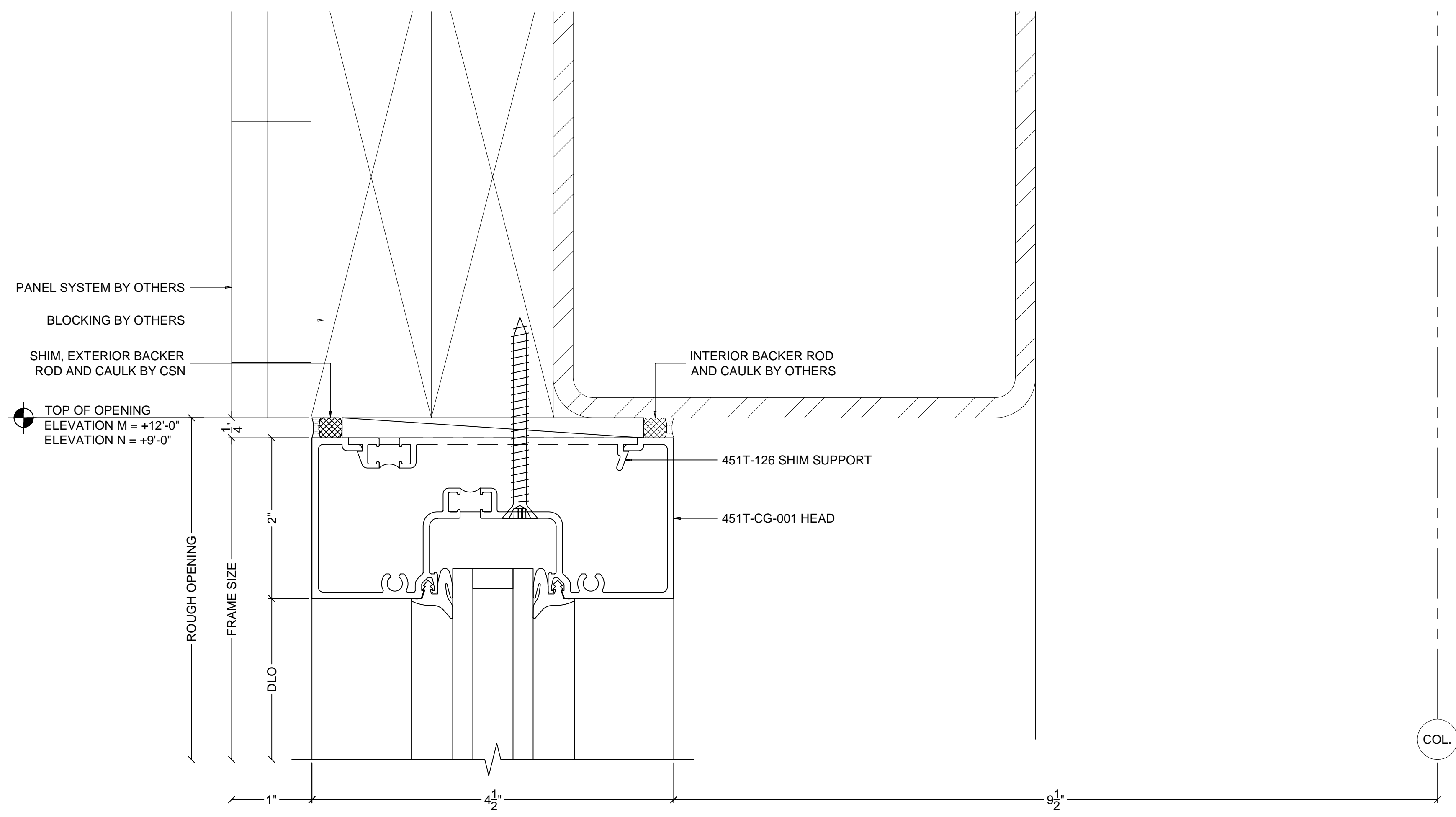
GLASS COMPANY

ARCHITECT
ADDRESS
CITY, ST, ZIP

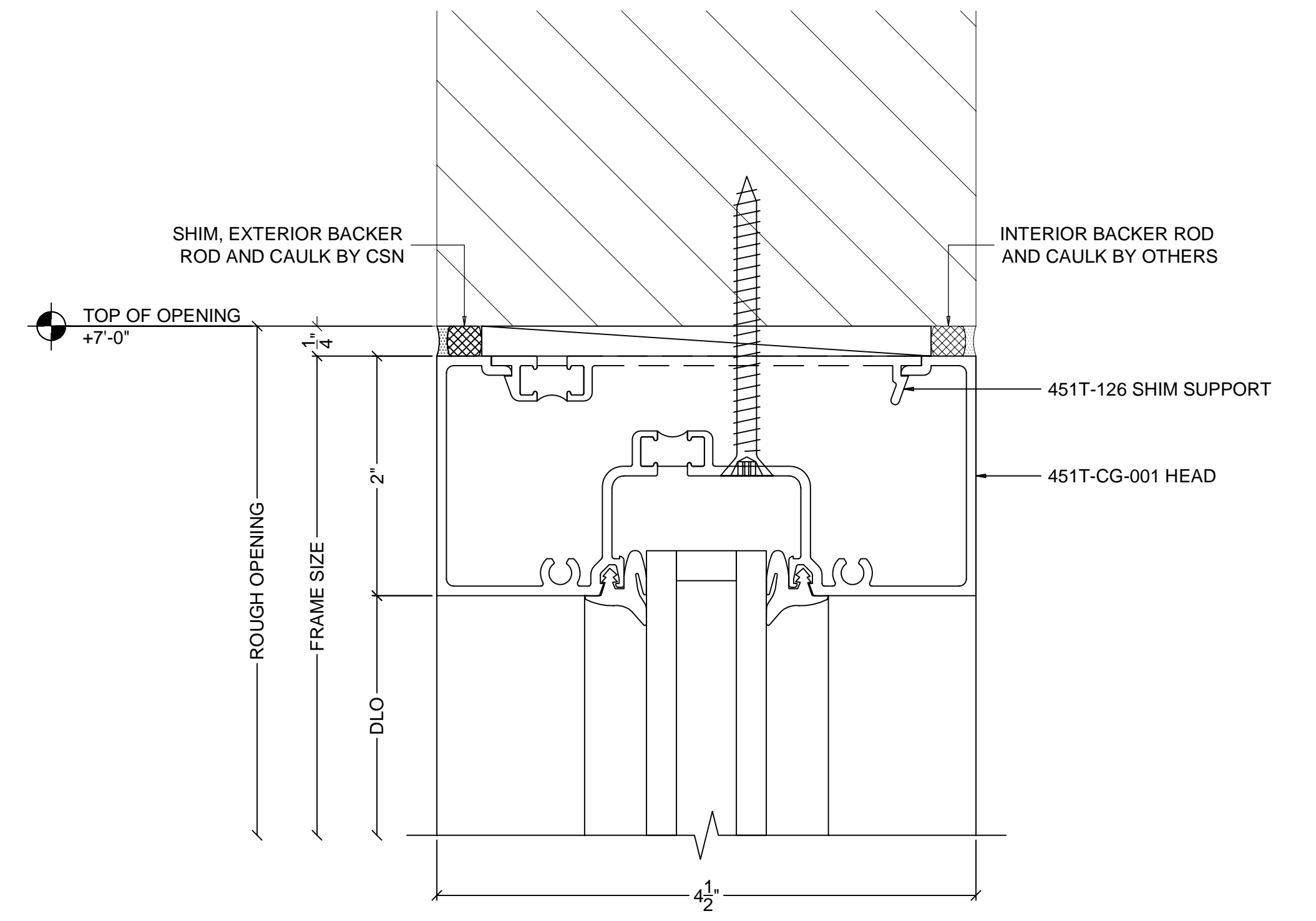
CONTRACTOR
ADDRESS
CITY, ST, ZIP

DETAILS
JOB
ADDRESS
CITY, ST, ZIP
AREA

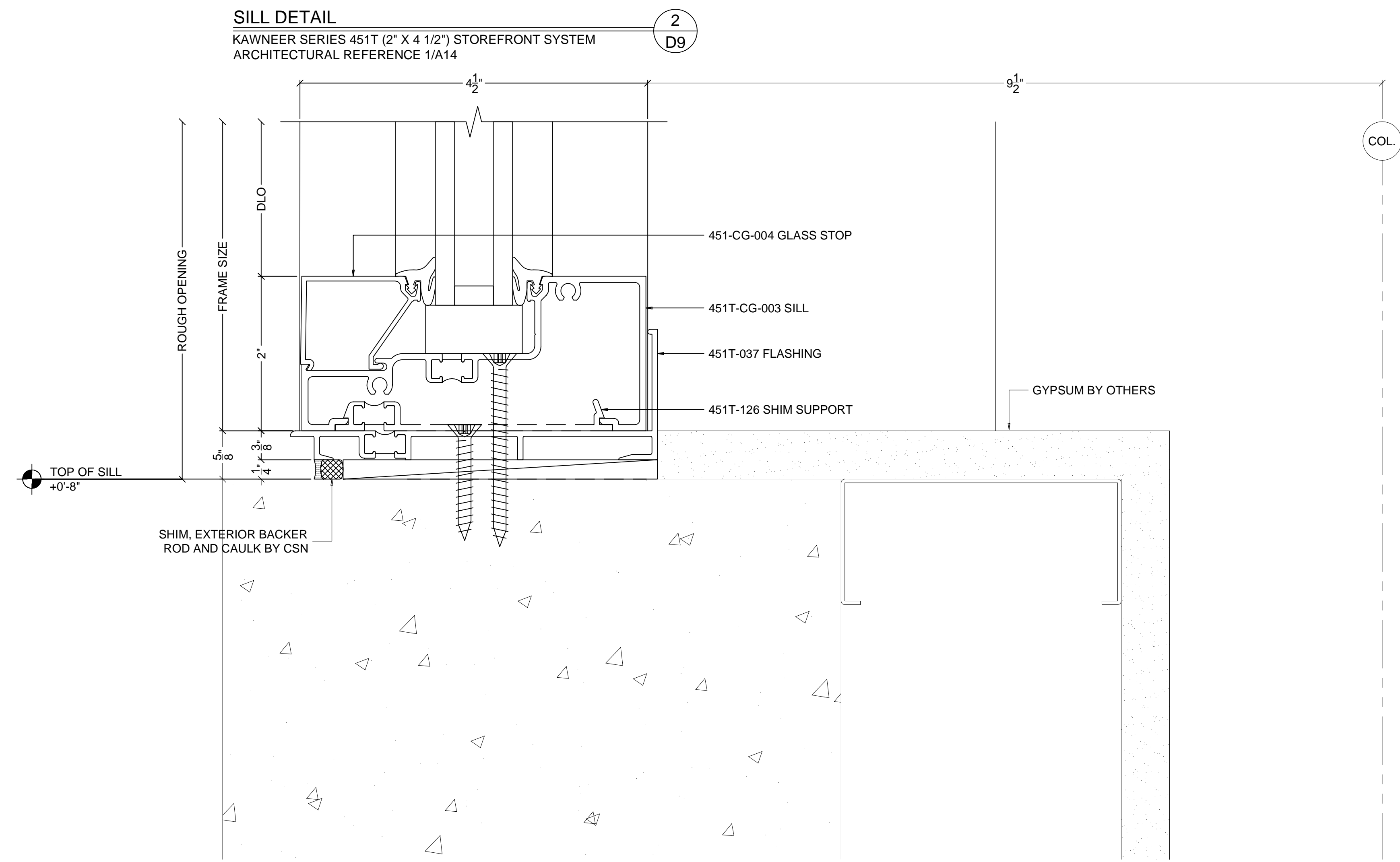
SCALE:
FULL SIZE
DATE:
12/30/10
FILENAME:
FILENAME
SHEET



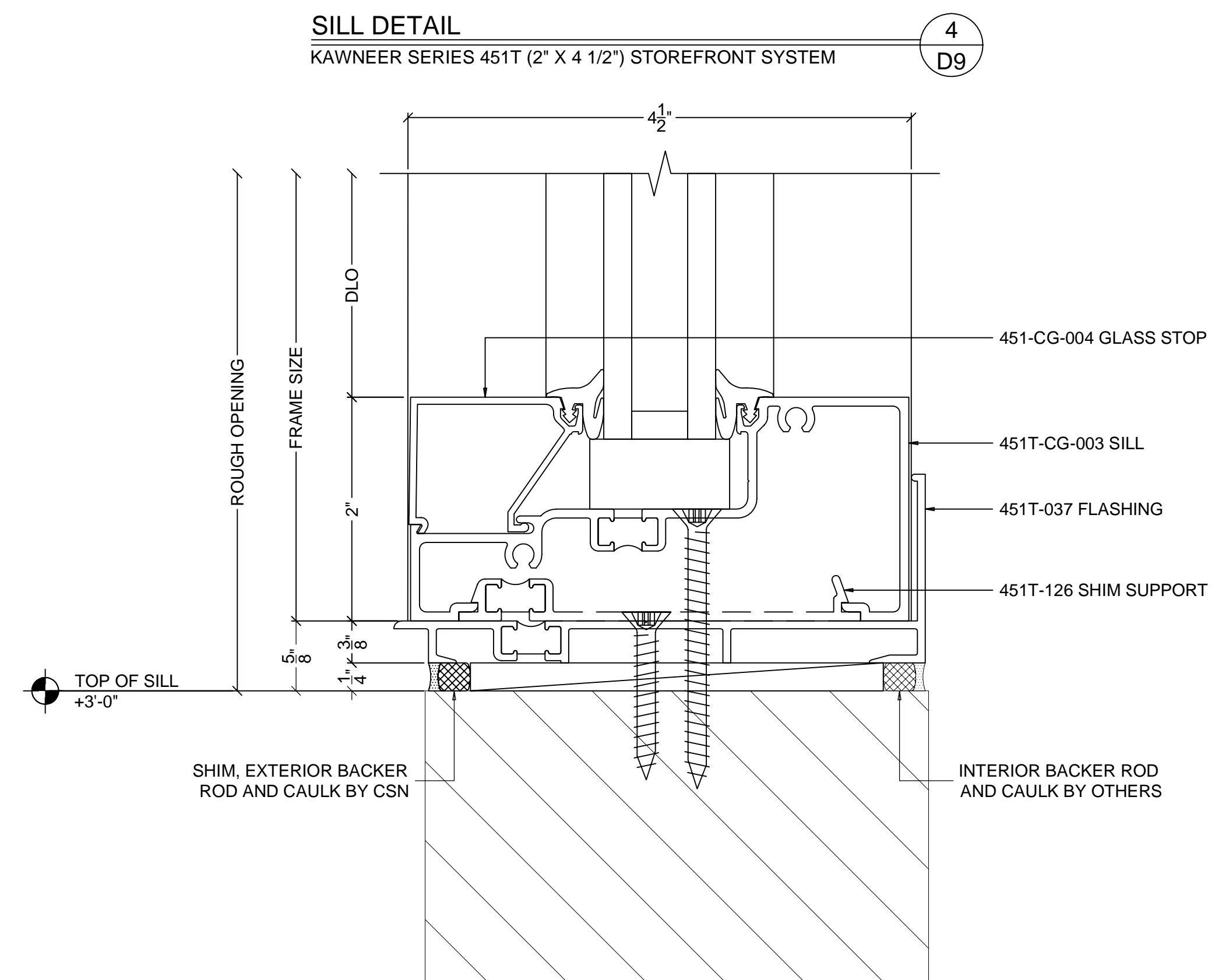
HEAD DETAIL
 KAWNEER SERIES 451T (2" X 4 1/2") STOREFRONT SYSTEM
 ARCHITECTURAL REFERENCE 1/A14



HEAD DETAIL
 KAWNEER SERIES 451T (2" X 4 1/2") STOREFRONT SYSTEM



SILL DETAIL
 KAWNEER SERIES 451T (2" X 4 1/2") STOREFRONT SYSTEM
 ARCHITECTURAL REFERENCE 1/A14



SILL DETAIL
 KAWNEER SERIES 451T (2" X 4 1/2") STOREFRONT SYSTEM

GENERAL NOTES

REVISIONS

GLASS COMPANY

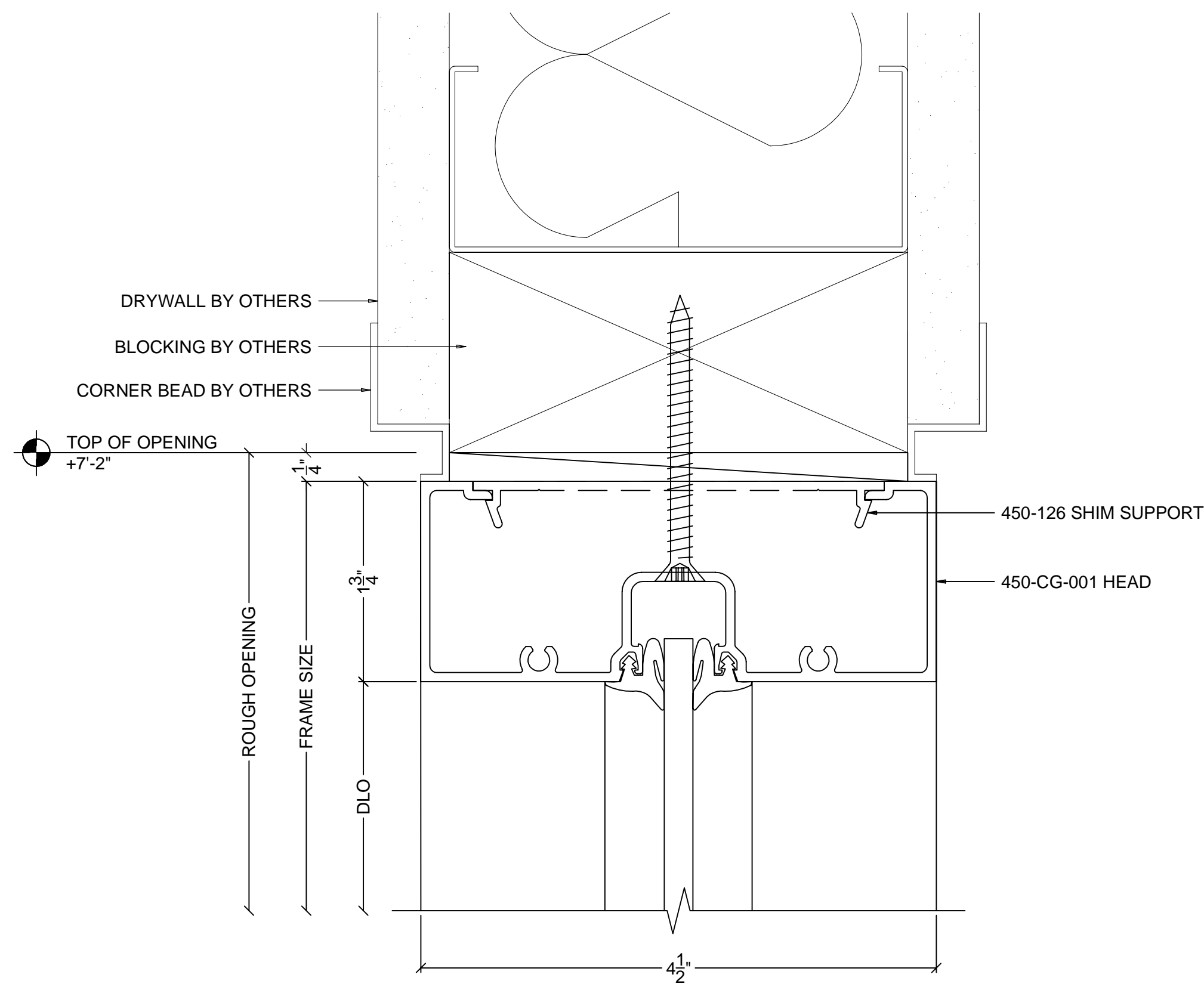
ARCHITECT
 ADDRESS
 CITY, ST, ZIP

CONTRACTOR
 ADDRESS
 CITY, ST, ZIP

DETAILS
 JOB
 ADDRESS
 CITY, ST, ZIP
 AREA

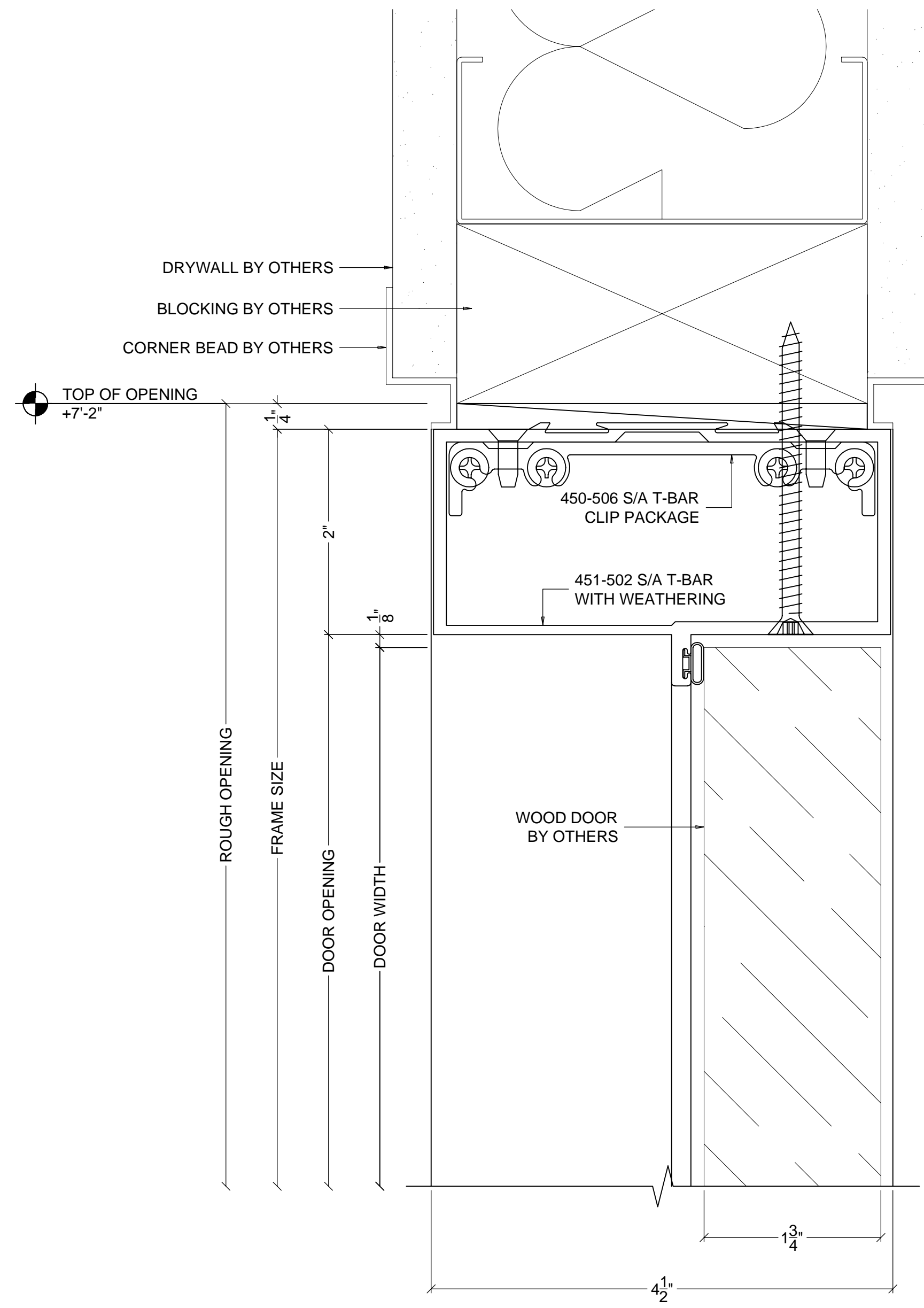
SCALE:
 FULL SIZE
 DATE:
 12/30/10
 FILENAME:
 SHEET

D9



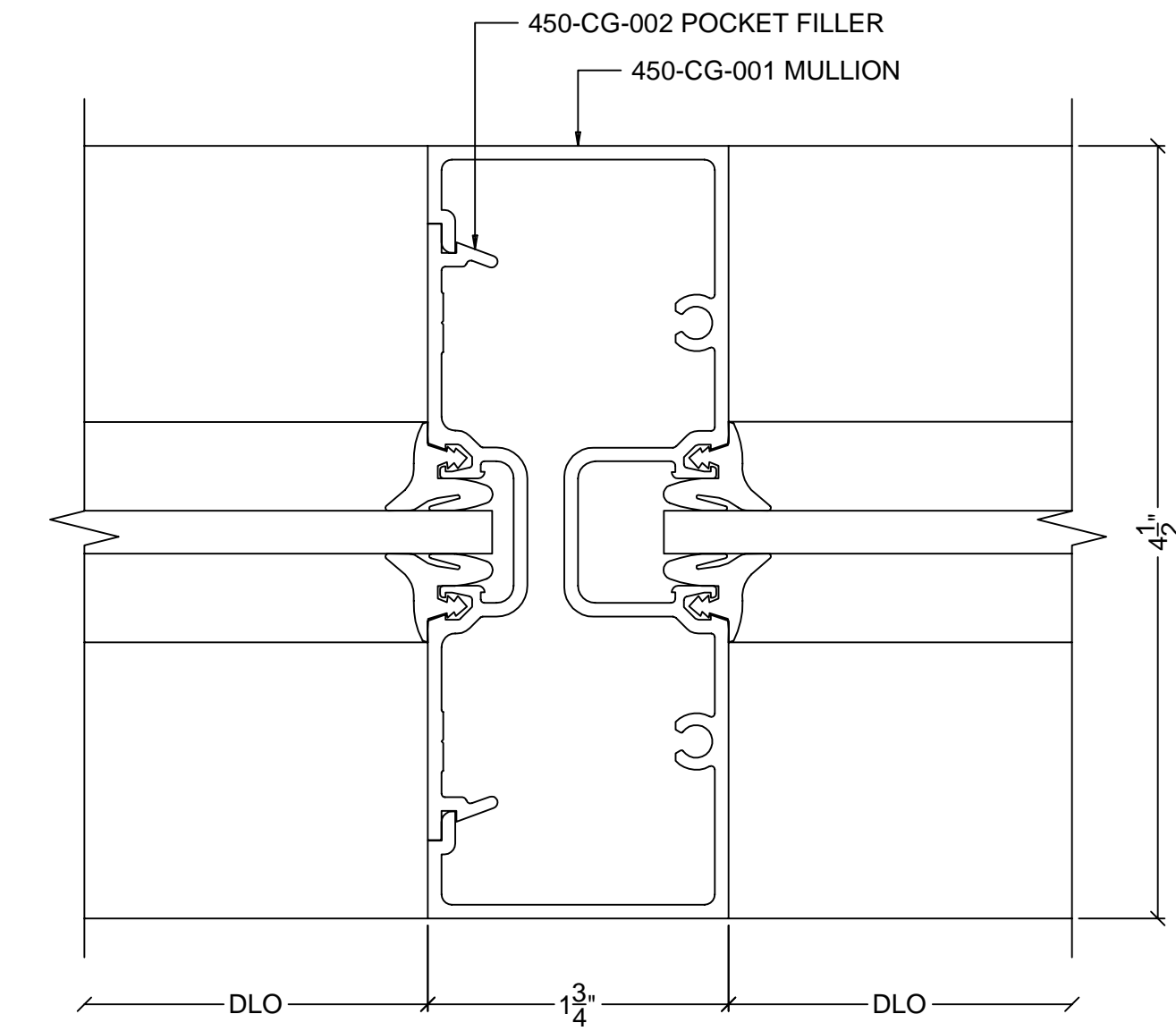
HEAD DETAIL
 KAWNEER SERIES 450 (1 3/4" X 4 1/2") STOREFRONT SYSTEM
 ARCHITECTURAL REFERENCE 1/A9

1
D10



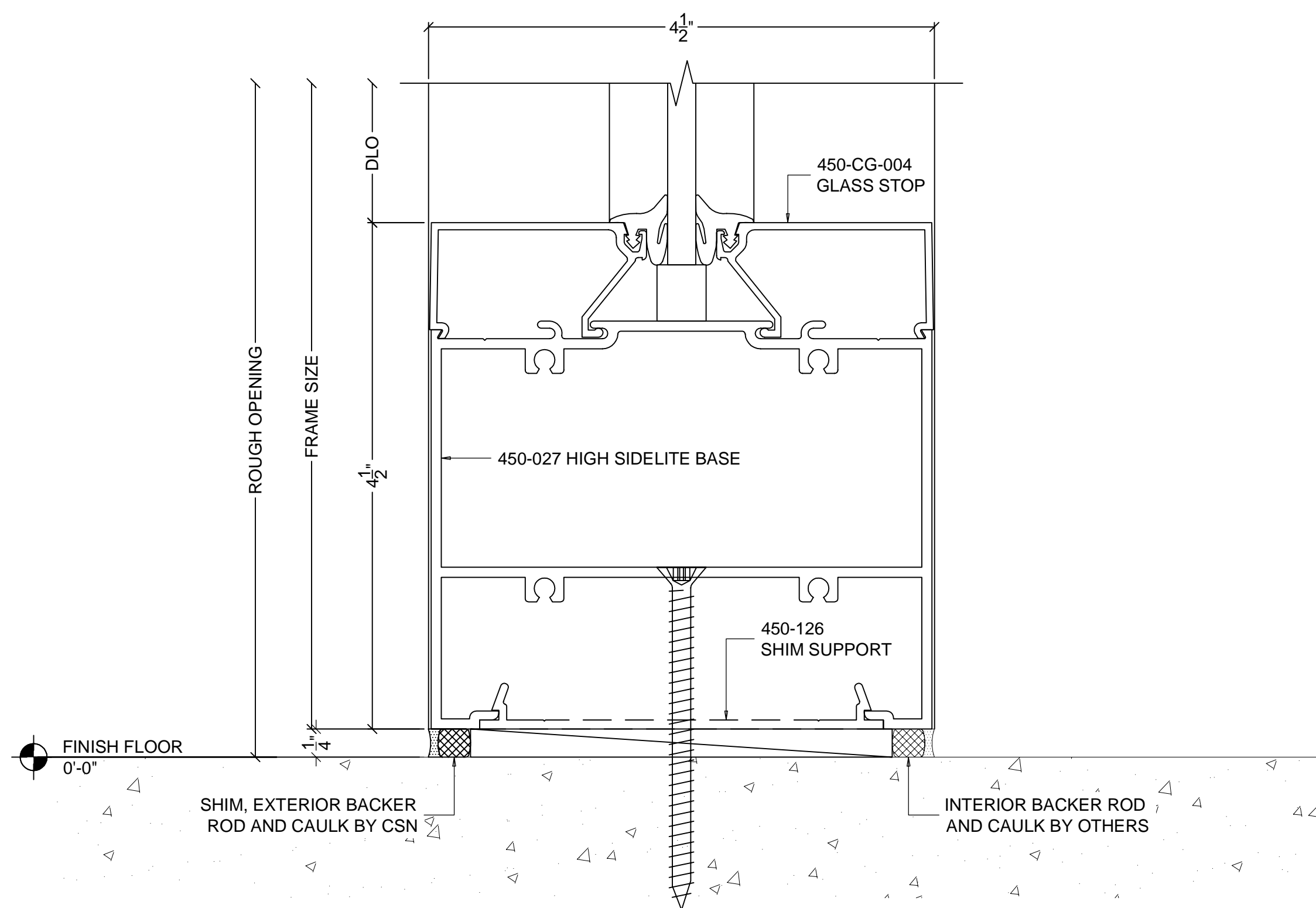
DOOR TOP RAIL / HEAD DETAIL AT CONDITION
 KAWNEER SERIES 450 (1 3/4" X 4 1/2") STOREFRONT SYSTEM
 ARCHITECTURAL REFERENCE 1/A9

3
D10



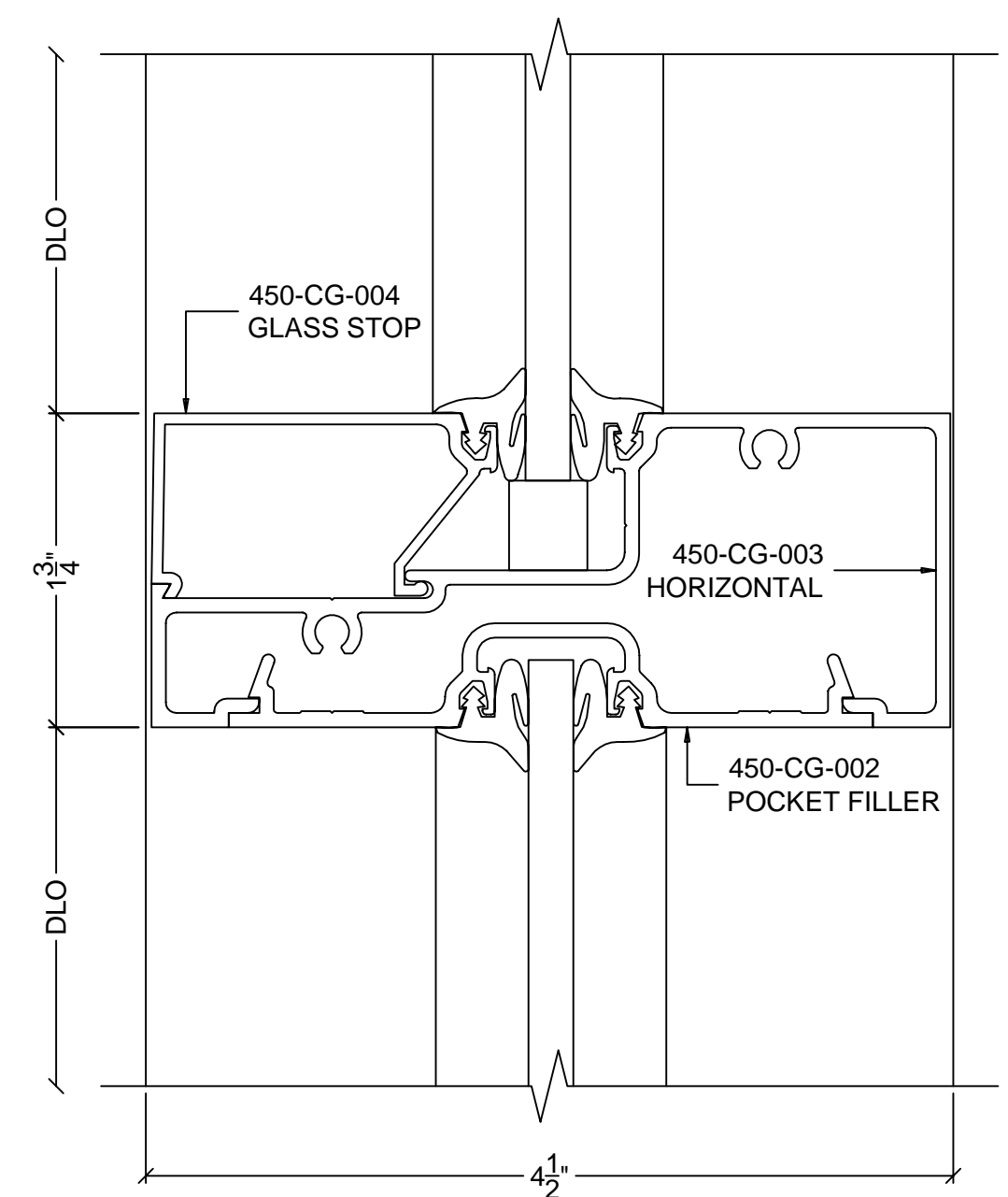
VERTICAL MULLION DETAIL
 KAWNEER SERIES 450 (1 3/4" X 4 1/2") STOREFRONT SYSTEM

5
D10



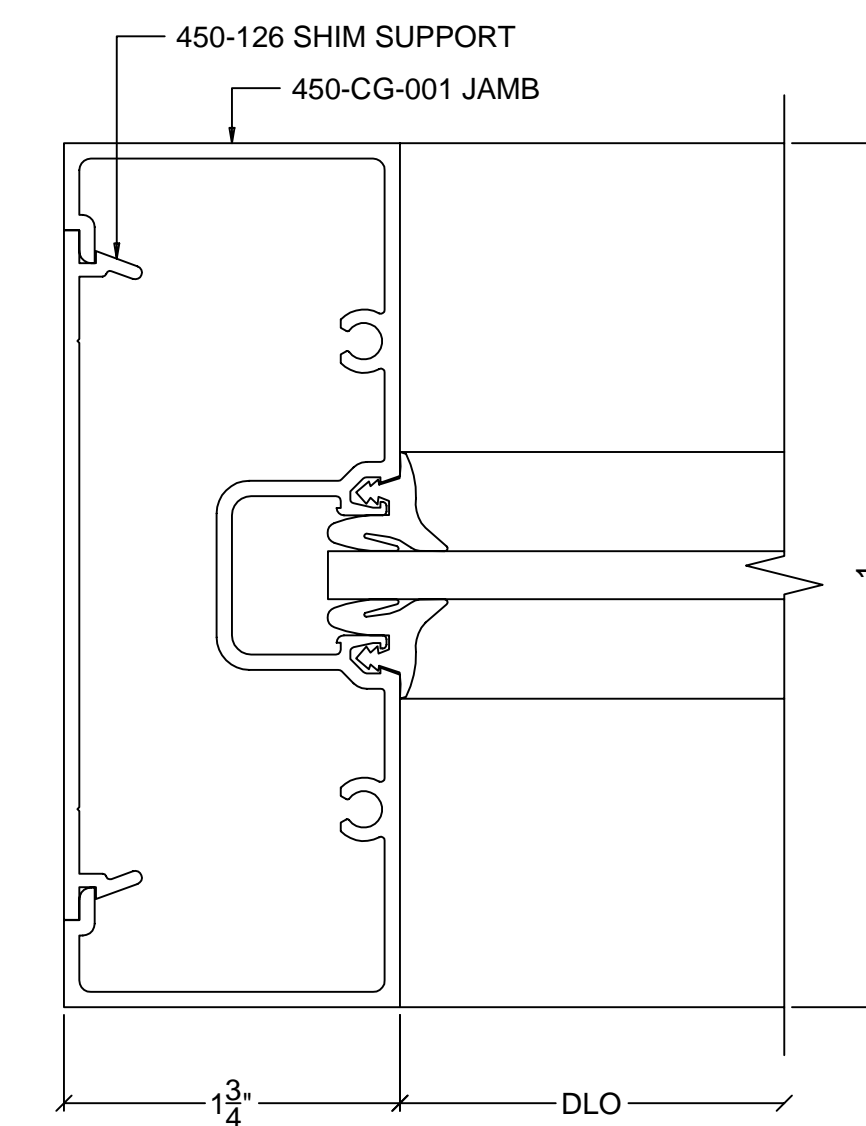
SILL DETAIL
 KAWNEER SERIES 450 (1 3/4" X 4 1/2") STOREFRONT SYSTEM

2
D10



HORIZONTAL MULLION DETAIL
 KAWNEER SERIES 450 (1 3/4" X 4 1/2") STOREFRONT SYSTEM

4
D10



JAMB DETAIL
 KAWNEER SERIES 450 (1 3/4" X 4 1/2") STOREFRONT SYSTEM

6
D10

GENERAL NOTES

REVISIONS

GLASS COMPANY

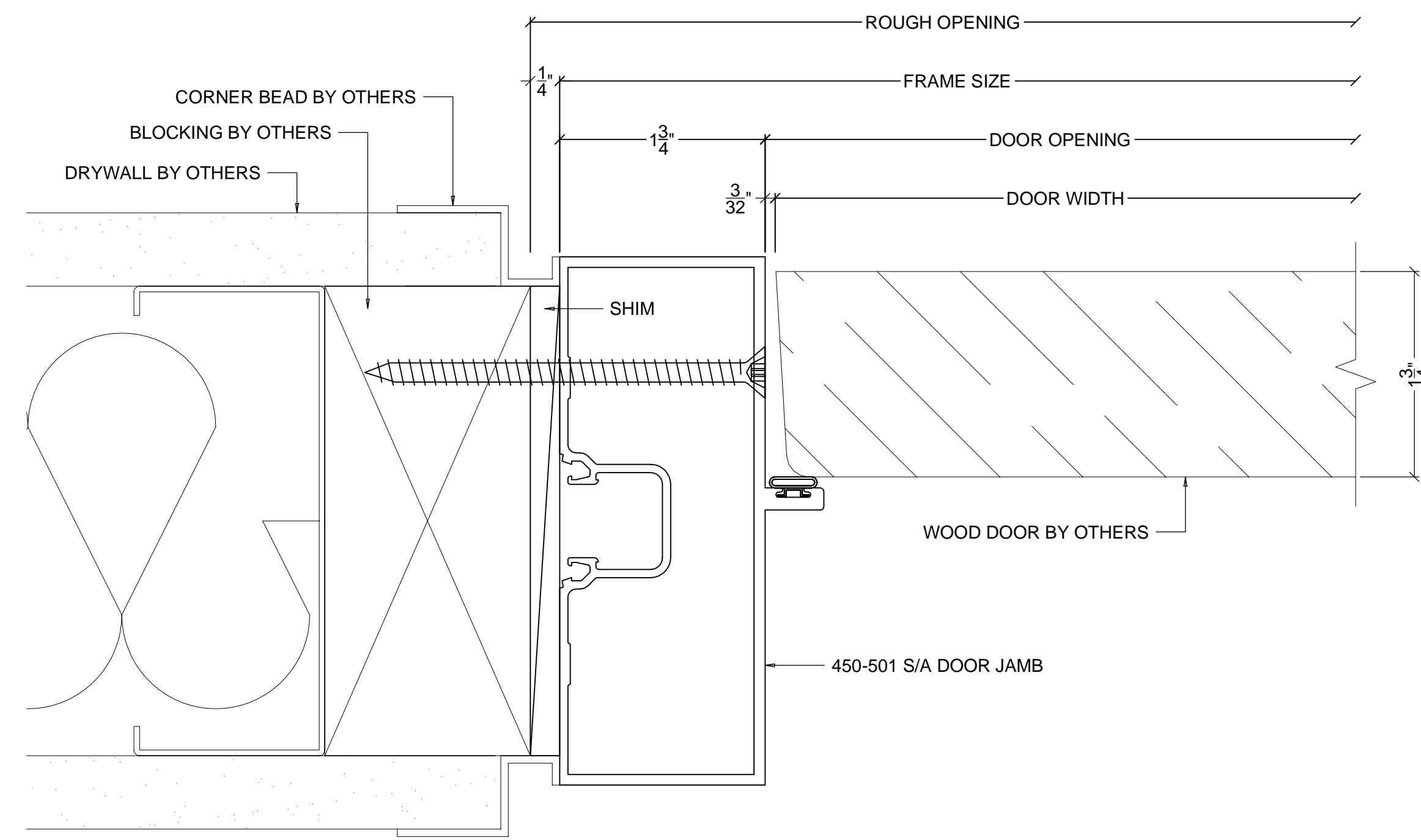
ARCHITECT
 ADDRESS
 CITY, ST, ZIP

CONTRACTOR
 ADDRESS
 CITY, ST, ZIP

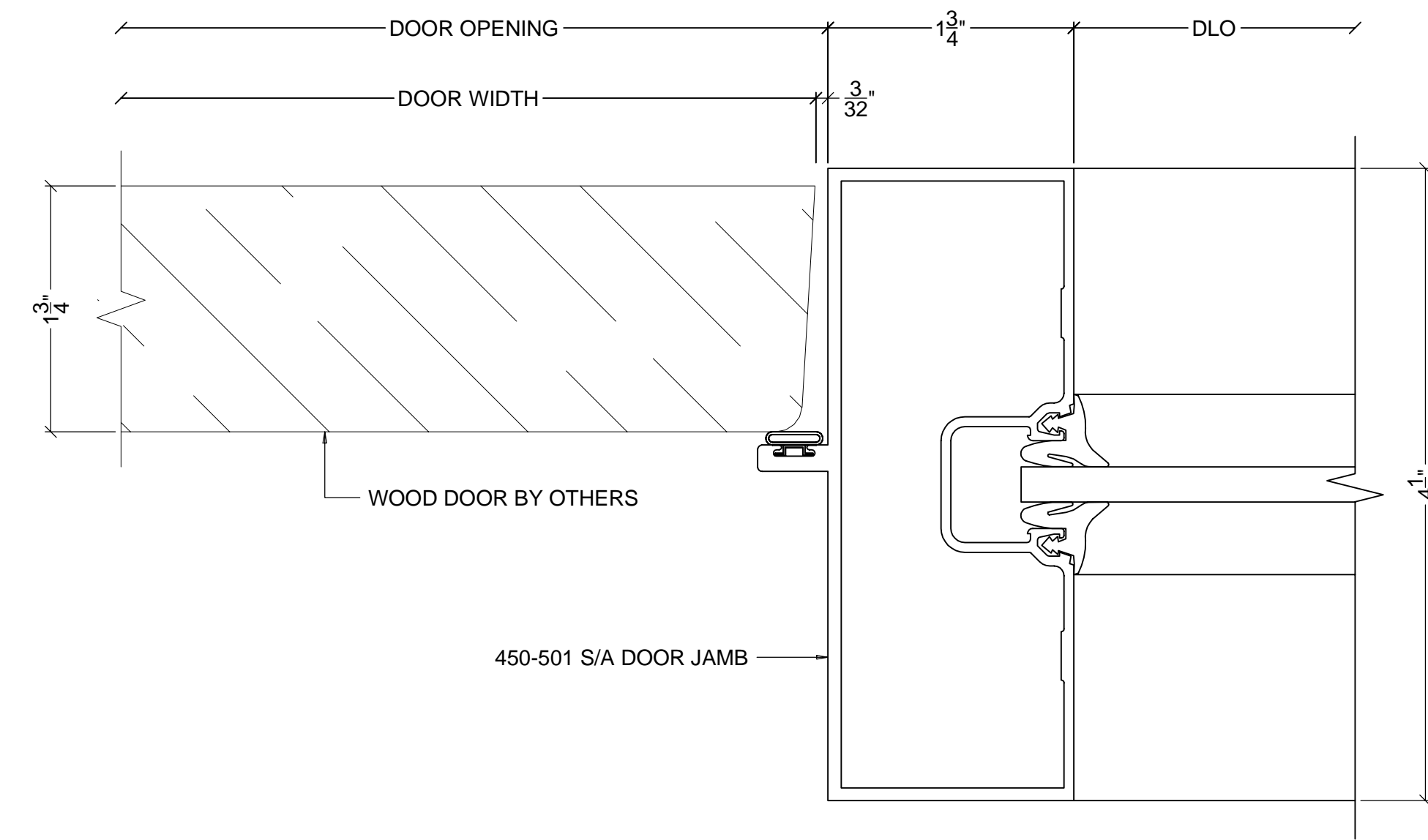
DETAILS
 JOB
 ADDRESS
 CITY, ST, ZIP
 AREA

SCALE:
 FULL SIZE
 DATE:
 12/30/10
 FILENAME:
 FILENAME
 SHEET

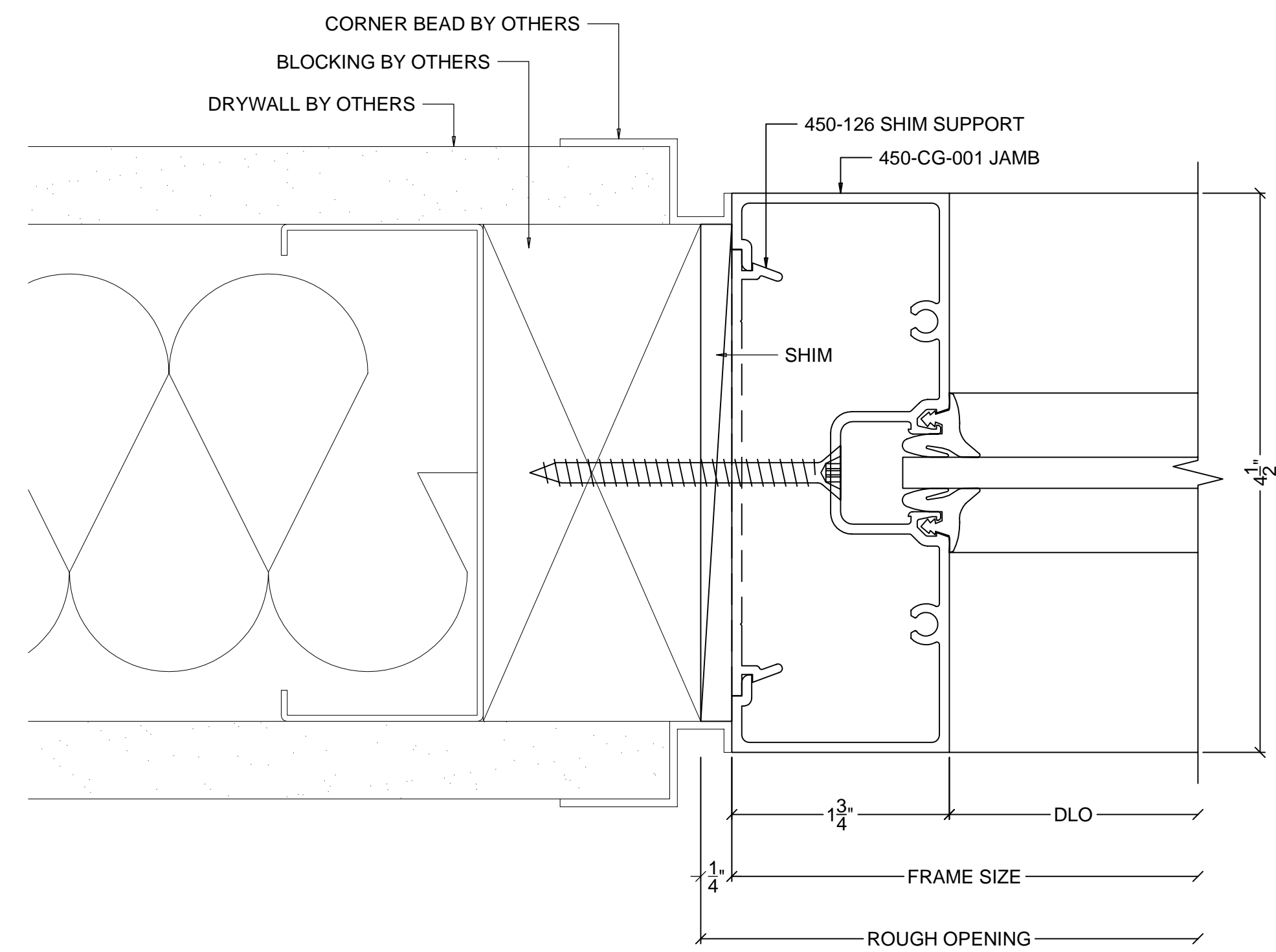
D10



DOOR JAMB DETAIL AT CONDITION 1
 KAWNEER SERIES 450 (1 3/4" X 4 1/2") STOREFRONT SYSTEM D11
 ARCHITECTURAL REFERENCE 1/A9



DOOR JAMB DETAIL AT SIDELITE 2
 KAWNEER SERIES 450 (1 3/4" X 4 1/2") STOREFRONT SYSTEM D11



JAMB DETAIL 3
 KAWNEER SERIES 450 (1 3/4" X 4 1/2") STOREFRONT SYSTEM D11
 ARCHITECTURAL REFERENCE 1/A9

GENERAL NOTES

REVISIONS

GLASS COMPANY

ARCHITECT
 ADDRESS
 CITY, ST, ZIP

CONTRACTOR
 ADDRESS
 CITY, ST, ZIP

DETAILS
 JOB
 ADDRESS
 CITY, ST, ZIP
 AREA

SCALE:
 FULL SIZE
 DATE:
 12/30/10
 FILENAME:
 SHEET